

Type No. \_\_\_\_\_

Catalog No. \_\_\_\_\_

Job. Name \_\_\_\_\_

# UF™ Series

## UF4 Large Architectural Flood

### APPLICATIONS

- The UF Series is an architectural floodlight luminaire designed as a series of five distinctly sized fixtures for general purpose flood and spot illumination
- Applications include security, area, accent, facade, recreational fields, flagpole, sign lighting and landscape lighting

### CONSTRUCTION

- Precision die-cast aluminum construction body
- One-piece die-cast hinged aluminum door
- Lens screws are specially designed captive stainless steel screws
- Duraplex II dark bronze polyester powder finish is standard
- Available in a variety of designer colors (consult factory)
- Extruded silicone gasket
- Available with vandal shields, wire guards and glare shields



### ELECTRICAL

- Pulse start or high pressure sodium source with magnetic ballast
- Integral heat sink ensures cool operation
- ED28 lamps for pulse start and ED18 lamps for high pressure sodium
- All metal halide fixtures are pulse start

### OPTICS

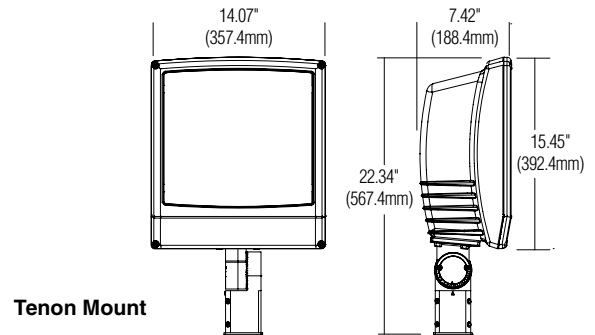
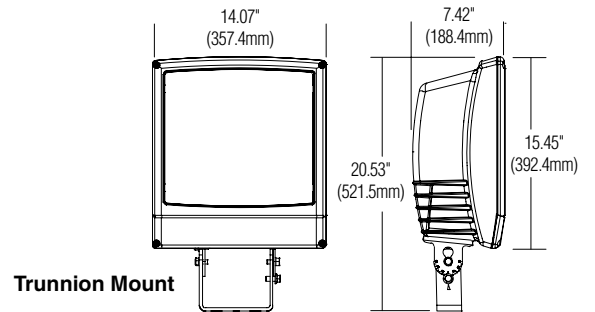
- General purpose, spot and cut-off optical distributions available. Specify with correct option code listed on back page.
- Hinged door frame with clear tempered glass lens
- Hydro-formed reflector system provides uniform distribution

### MOUNTING

- IP65 Rated (trunnion mount only) for extra protection against water, dust and debris
- Available with trunnion (IP65 and UL) and slipfitter (UL) mounting (consult factory for IP65 slipfitter). Fits standard 2-3/8" tenon top
- The UF Series can be angled for indirect/accent lighting
- Unit can be aimed above or below horizontal
- Low EPA rating of 1.20 sq. ft.

### WARRANTY/LISTINGS

- UL wet location listed for above- or below-horizontal aiming
- Published 1-year limited warranty
- Suitable for ground mounting



### Ordering Guide Example: UF4T200PMA-L-5

UF	4	T	200	PMA		—	5
						—	

Series	Size	Mounting	Wattage	Lamp Source	Options	Voltage
UF	4=Large	T=Trunnion (IP65 & UL) S=2-3/8" Tenon Slipfitter (UL)	150=150w <sup>1</sup> 175=175w 200=200w 250=250w <sup>1</sup> 320=320w 350=350w 400=400w <sup>1,2</sup>	LX=High Pressure Sodium <sup>1</sup> (HX-HPF or CWA) PMA=Pulse Start Metal Halide (HX-HPF)	See Back Page for Distribution and other Options	5=480v 8=120v - 277v

<sup>1</sup> LX (150w, 250w, 400w only)  
<sup>2</sup> Lamps are ED28

**ExcelLine®**  
2345 Vauxhall Road - P.O. Box 129  
Union, NJ 07083  
800-334-2212  
www.exceline.com - www.ufflood.com

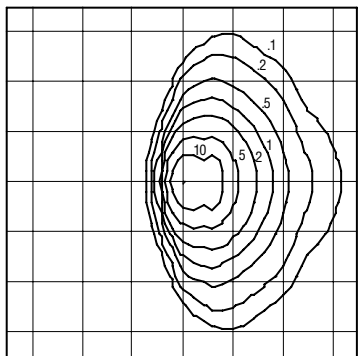


ExcelLine is a Philips group brand

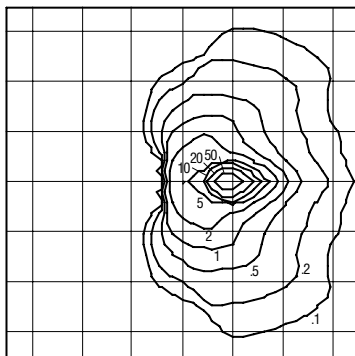
Product information is subject to change without notice



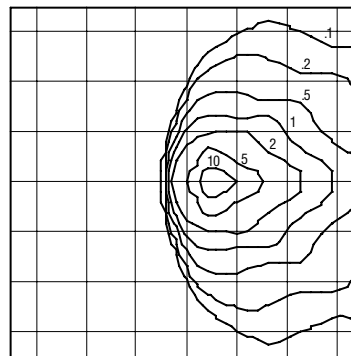
### PHOTOMETRIC DATA



**UF4**  
Cutoff Optics  
350w Pulse Start Metal Halide  
Mounting Height: 25 ft. - 45°  
Lumens: 36000  
NEMA: 7H x 6V



**UF4**  
Spot Optics  
350w Pulse Start Metal Halide  
Mounting Height: 25 ft. - Tilt: 45°  
Lumens: 36000  
NEMA: 2H x 3V



**UF4**  
General Purpose Optics  
350w Pulse Start Metal Halide  
Mounting Height: 25 ft. - 45°  
Lumens: 36000  
NEMA: 6H x 6V

### CONVERSION DATA

Mounting Height		Wattage (MH)	
20	1.56	250	0.69
25	1	400	1
30	0.69		

### OPTIONS & ACCESSORIES

#### Options

- L= Lamped
- BLANK= General-Purpose Reflector
- C= Cutoff Reflector
- S= Spot Reflector
- PCB= Button Photo Control
- TLR= Twist Lock Receptacle with Shorting Cap
- TLP= Twist Lock Receptacle with Photo Control
- FS= Fusing

#### Accessories

- GP4GS= Visor
- GP4WG= Wire Guard
- GP4VS= Vandal Shield



2345 Vauxhall Road - P.O. Box 129  
Union, NJ 07083  
800-334-2212  
www.exceline.com - www.ufflood.com