

Type No. _____

Catalog No. _____

Job. Name _____

UF™ Series

UF1 Mini Architectural Flood

APPLICATIONS

- The UF Series is an architectural floodlight luminaire designed as a series of five distinctly sized fixtures for general purpose flood and spot illumination
- Applications include security, area, accent, facade, recreational fields, flagpole, sign lighting and landscape lighting

CONSTRUCTION

- Precision die-cast aluminum construction body
- One-piece die-cast hinged aluminum door
- Lens screws are specially designed captive stainless steel screws
- Duraplex II dark bronze polyester powder finish is standard
- Available in a variety of designer colors (consult factory)
- Extruded silicone gasket
- Available with vandal shields, wire guards and glare shields



ELECTRICAL

- T4 pulse start metal halide source with electronic ballast
- Integral heat sink ensures cool operation
- All metal halide fixtures are pulse start

OPTICS

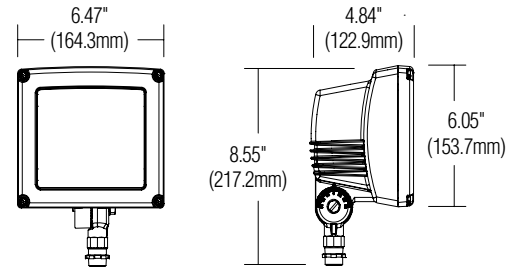
- General purpose, asymmetric, spot optical distributions available. Specify with correct option code listed on back page.
- Hinged door frame with clear tempered glass lens
- Hydro-formed reflector system provides uniform distribution

MOUNTING

- 1/2" arm with serrated teeth lock arm mount unit into position
- The UF Flood can be angled for indirect/accent lighting
- Unit can be aimed above or below horizontal
- Low EPA rating of 0.22 sq. ft.

WARRANTY/LISTINGS

- IP65 Rated for extra protection against water, dust and debris
- UL wet location listed for above- or below-horizontal aiming
- Published 1-year limited warranty
- Suitable for ground mounting



Ordering Guide Example: UF1A070TEL-6

UF	1	A	070	TE		6
Series	Size	Mounting	Wattage	Lamp Source	Options	Voltage
UF	1=Mini	A=1/2" Arm (IP65 & UL)	020=20w 039=39w 070=70w	TE= T4 Electronic Pulse Start Metal Halide	See Back Page for Distribution Options	6=120v, 277v

ExcelLine®
 2345 Vauxhall Road - P.O. Box 129
 Union, NJ 07083
 800-334-2212
 www.exceline.com - www.ufflood.com

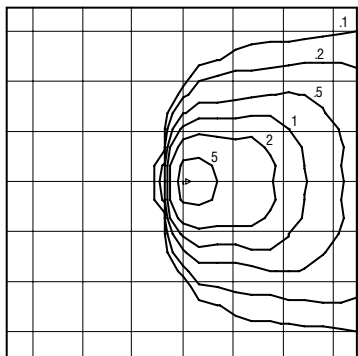


ExcelLine is a Philips group brand

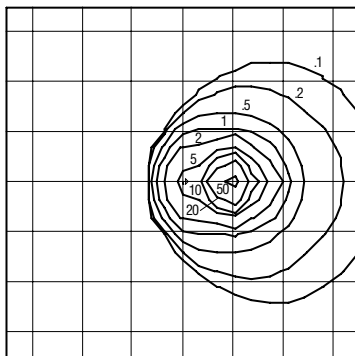
Product information is subject to change without notice



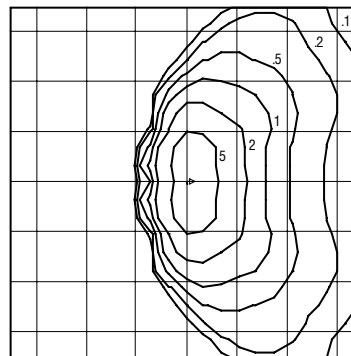
PHOTOMETRIC DATA



UF1
Asymmetric Optics
70w Pulse Start Metal Halide
Mounting Height: 10 ft. - Tilt: 30°
Lumens: 6200
NEMA: 6H x 6V



UF1
Spot Optics
70w Pulse Start Metal Halide
Mounting Height: 10 ft. - Tilt: 45°
Lumens: 6200
NEMA: 4H x 3V



UF1
General Purpose Optics
70w Pulse Start Metal Halide
Mounting Height: 10 ft. - Tilt: 30°
Lumens: 6200
NEMA: 7H x 6V

CONVERSION DATA

Mounting Height		Wattage	
8	1.56	20	0.27
10	1	39	0.55
12	0.69	70	1

OPTIONS & ACCESSORIES

Options

- L=** Lamped
- BLANK=** General-Purpose Reflector
- A=** Asymmetric Reflector
- S=** Spot Reflector

Accessories

- GP1GS=** Visor
- GP1WG=** Wire Guard
- GP1VS=** Vandal Shield
- SLW10P=** Wall mount adapter to convert UF1 luminaires. Complete with built-in splice box and knock-out for button photo control



2345 Vauxhall Road - P.O. Box 129
Union, NJ 07083
800-334-2212
www.exceline.com - www.ufflood.com