

Type No. \_\_\_\_\_

Catalog No. \_\_\_\_\_

Job. Name \_\_\_\_\_

# SpotLyte PAR64

## Line Voltage Incandescent Pencil Beam

### APPLICATIONS

- Flag poles, billboard, facades, church steeples, columns, clock towers, stained glass.

### CONSTRUCTION

- Precision die-cast aluminum housing.
- Natural Aluminum finish, standard.
- Optional designer finishes available (consult factory).
- Cast-in ribbing extends surface area for more effective heat dissipation, longer lamp life.
- Clear heat tempered glass lens, gasketed.

### OPTICS

- Controlled by lamp type distribution.
- Ranges from wide flood (25° x 50°) to very narrow spot (10° x 15°) (based on lamps available).
- Enclosed units equipped with shock and heat resistant tempered glass.

### ELECTRICAL

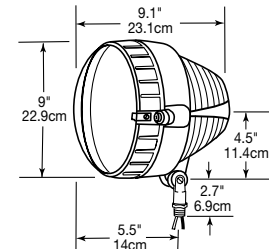
- Units are wired up to mogul end prongs and silicone gasketed for weather resistance.
- 500 watt PAR64.

### MOUNTING

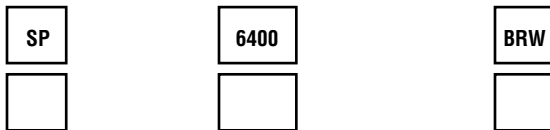
- Enclosed units for above horizontal aiming.
- Open units must be aimed below horizontal.
- 1/2" NPT adjustable male arm, with serrated teeth, mounts to a variety of standard hardware, for ground, surface, or pole mount.

### WARRANTY/LISTINGS

- UL 1598 listed for wet locations.
- Published five year limited warranty.



### Ordering Guide Example: SP6400BRW



| Prefix | Series                        | Finish                                                                             |
|--------|-------------------------------|------------------------------------------------------------------------------------|
| SP     | 6400= Open<br>6400E= Enclosed | BRW= Wrinkle Bronze<br>BLK= Wrinkle Black<br>WHT= White<br>Blank= Natural Aluminum |

### Accessories

**WG64**= Wire guard for PAR64 units

**GS64**= Glare shield for PAR64 units

**6452T**= Lens and mounting kit for PAR64 units



2345 Vauxhall Road - P.O. Box 129  
 Union, NJ 07083  
 800-334-2212  
 www.exceline.com

ExcelLine is a Philips group brand

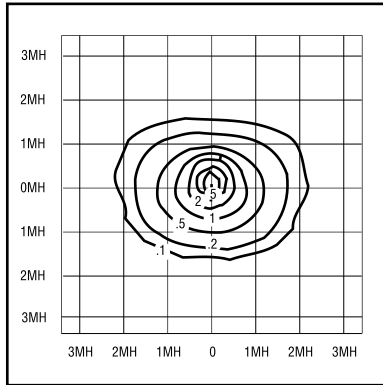
Product information is subject to change without notice



# Vertex™ Accent Series

## High-Performance Mini-Flood Accent Series

### Accent Flood



Cat. No: VRA150LXL-#  
 Lamp: C150 S55 / M  
 Lumens: 16,000  
 Mtg. Hgt.: 30 ft.  
 Aiming Point: Tilt Angle 7.5°  
 Field Angle (10%) 74° H x 63° V  
 Beam Angle (50%) 24° H x 27° V  
 Accent Optics

#### FOOTCANDLE CORRECTION

Multiply the following factors times the footcandle values for changes in mounting height:

To Change From 20'

| New Height | 10' | 12'  | 14'  | 15'  | 16'  |
|------------|-----|------|------|------|------|
| Factor     | 4.0 | 2.78 | 1.78 | 1.56 | 1.23 |

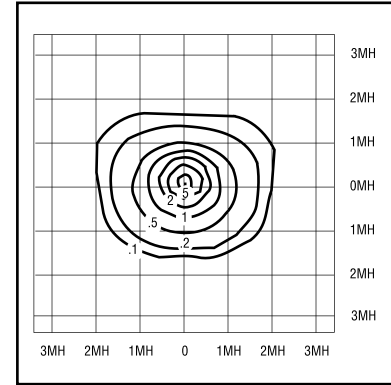
NOTE: For mounting heights other than those in table, multiply footcandle values time the following factor:

$$\text{Multiplier} = \frac{400}{(\text{Actual Mtg. Height})^2}$$

Multiply the following factors times the footcandle values for changes in lamps/watts:

|          |      |          |      |
|----------|------|----------|------|
| 50W HPS  | .25  | 70W PMA  | .36  |
| 70W HPS  | .40  | 100W PMA | .57  |
| 100W HPS | .59  | 150W PMA | 1.00 |
| 150W HPS | 1.00 |          |      |

### Accent Flood



Cat. No: VRA150PMAL-#  
 Lamp: MH175 / U / MED  
 Lumens: 15,000  
 Mtg. Hgt.: 30 ft.  
 Aiming Point: Tilt Angle 7.5°  
 Field Angle (10%) 112° H x 78° V  
 Beam Angle (50%) 36° H x 34° V  
 Accent Optics



2345 Vauxhall Road - P.O. Box 129  
 Union, NJ 07083  
 800-334-2212  
 www.exceline.com

ExcelLine is a Philips group brand

Product information is subject to change without notice

