

Type No. \_\_\_\_\_

Catalog No. \_\_\_\_\_

Job. Name \_\_\_\_\_

# SpotLyte PAR38

## Line Voltage Incandescent Pencil Beam

### APPLICATIONS

- Flag poles, billboard, facades, church steeples, columns, clock towers, stained glass.

### CONSTRUCTION

- Precision die-cast aluminum housing.
- Natural Aluminum finish, standard.
- Optional designer finishes available (consult factory).
- Cast-in ribbing extends surface area for more effective heat dissipation, longer lamp life.
- Clear heat tempered glass lens, gasketed.

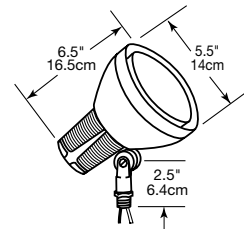


### OPTICS

- Controlled by lamp type distribution.
- Ranges from wide flood (25° x 50°) to very narrow spot (10° x 15°) (based on lamps available).
- Enclosed units equipped with shock and heat resistant tempered glass.

### ELECTRICAL

- Units are wired up to mogul end prongs and silicone gasketed for weather resistance.
- 250 watt PAR38 maximum.



### MOUNTING

- 1/2" NPT adjustable male arm, with serrated teeth, mounts to a variety of standard hardware, for ground, surface, or pole mount.
- Cast-in quadrants with serrated teeth lock unit in place once aimed.

### WARRANTY/LISTINGS

- UL 1598 listed for wet locations.
- Published one year limited warranty.

#### Ordering Guide Example: SP40BRW

SP	40	BRW

Prefix	Series	Finish
SP	40= Open	BRW= Wrinkle Bronze BLK= Wrinkle Black WHT= White Blank= Natural Aluminum

#### Accessories

207= Wire guard



2345 Vauxhall Road - P.O. Box 129  
 Union, NJ 07083  
 800-334-2212  
 www.exceline.com

ExcelLine is a Philips group brand

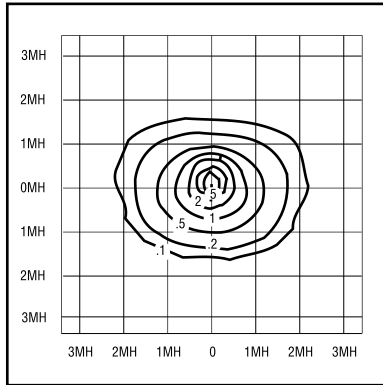
Product information is subject to change without notice



# Vertex™ Accent Series

## High-Performance Mini-Flood Accent Series

### Accent Flood



Cat. No: VRA150LXL-#  
 Lamp: C150 S55 / M  
 Lumens: 16,000  
 Mtg. Hgt.: 30 ft.  
 Aiming Point: Tilt Angle 7.5°  
 Field Angle (10%) 74° H x 63° V  
 Beam Angle (50%) 24° H x 27° V  
 Accent Optics

#### FOOTCANDLE CORRECTION

Multiply the following factors times the footcandle values for changes in mounting height:

To Change From 20'

New Height	10'	12'	14'	15'	16'
Factor	4.0	2.78	1.78	1.56	1.23

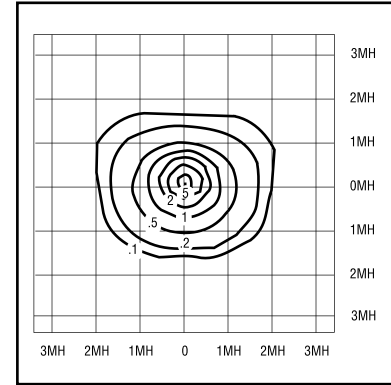
NOTE: For mounting heights other than those in table, multiply footcandle values time the following factor:

$$\text{Multiplier} = \frac{400}{(\text{Actual Mtg. Height})^2}$$

Multiply the following factors times the footcandle values for changes in lamps/watts:

50W HPS	.25	70W PMA	.36
70W HPS	.40	100W PMA	.57
100W HPS	.59	150W PMA	1.00
150W HPS	1.00		

### Accent Flood



Cat. No: VRA150PMAL-#  
 Lamp: MH175 / U / MED  
 Lumens: 15,000  
 Mtg. Hgt.: 30 ft.  
 Aiming Point: Tilt Angle 7.5°  
 Field Angle (10%) 112° H x 78° V  
 Beam Angle (50%) 36° H x 34° V  
 Accent Optics



2345 Vauxhall Road - P.O. Box 129  
 Union, NJ 07083  
 800-334-2212  
 www.exceline.com

ExcelLine is a Philips group brand

Product information is subject to change without notice

