

Type No. _____

Catalog No. _____

Job. Name _____

SpotLyte PAR38/R40

Line Voltage Incandescent Pencil Beam

APPLICATIONS

- Flag poles, billboard, facades, church steeples, columns, clock towers, stained glass.

CONSTRUCTION

- Precision die-cast aluminum housing.
- Natural Aluminum finish, standard.
- Optional designer finishes available (consult factory).
- Cast-in ribbing extends surface area for more effective heat dissipation, longer lamp life.
- Clear heat tempered glass lens, gasketed.



OPTICS

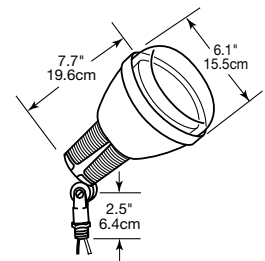
- Controlled by lamp type distribution.
- Ranges from wide flood (25° x 50°) to very narrow spot (10° x 15°) (based on lamps available).
- Enclosed units equipped with shock and heat resistant tempered glass.

ELECTRICAL

- Units are wired up to mogul end prongs and silicone gasketed for weather resistance.
- 300 watt PAR38/R40 maximum.

MOUNTING

- 1/2" NPT threaded die-cast arm, locknut pre-installed, pre-lubed to facilitate mounting.
- Cast-in quadrants with serrated teeth lock unit in place once aimed.



WARRANTY/LISTINGS

- UL 1598 listed for wet locations.
- Published one year limited warranty.

Ordering Guide Example: SP4400BRW

SP

4400

BRW



Prefix	Series	Finish
--------	--------	--------

SP

4400= Open
4400E= Enclosed

BRW= Wrinkle Bronze
BLK= Wrinkle Black
WHT= White
Blank= Natural Aluminum

Accessories

- GS44= Glare shield-270°
- CG44= Cast guard
- SL44= Clear screws in lens for enclosing
- 4503= 3/4" arm
- SLW10A= Surface adapter/splice box



2345 Vauxhall Road - P.O. Box 129
 Union, NJ 07083
 800-334-2212
 www.exceline.com

ExcelLine is a Philips group brand

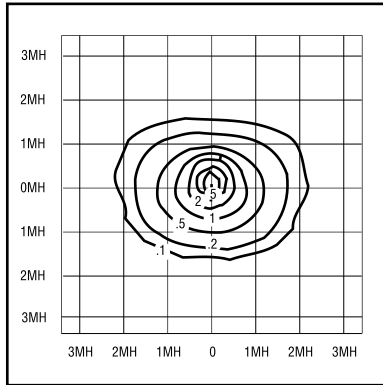
Product information is subject to change without notice



Vertex™ Accent Series

High-Performance Mini-Flood Accent Series

Accent Flood



Cat. No: VRA150LXL-#
 Lamp: C150 S55 / M
 Lumens: 16,000
 Mtg. Hgt.: 30 ft.
 Aiming Point: Tilt Angle 7.5°
 Field Angle (10%) 74° H x 63° V
 Beam Angle (50%) 24° H x 27° V
 Accent Optics

FOOTCANDLE CORRECTION

Multiply the following factors times the footcandle values for changes in mounting height:

To Change From 20'

New Height	10'	12'	14'	15'	16'
Factor	4.0	2.78	1.78	1.56	1.23

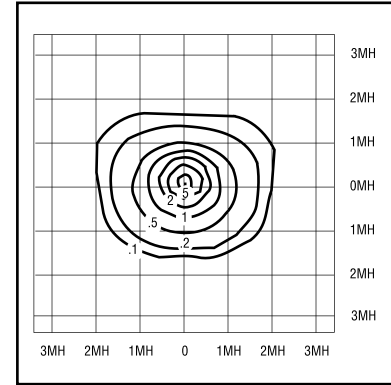
NOTE: For mounting heights other than those in table, multiply footcandle values time the following factor:

$$\text{Multiplier} = \frac{400}{(\text{Actual Mtg. Height})^2}$$

Multiply the following factors times the footcandle values for changes in lamps/watts:

50W HPS	.25	70W PMA	.36
70W HPS	.40	100W PMA	.57
100W HPS	.59	150W PMA	1.00
150W HPS	1.00		

Accent Flood



Cat. No: VRA150PMAL-#
 Lamp: MH175 / U / MED
 Lumens: 15,000
 Mtg. Hgt.: 30 ft.
 Aiming Point: Tilt Angle 7.5°
 Field Angle (10%) 112° H x 78° V
 Beam Angle (50%) 36° H x 34° V
 Accent Optics



2345 Vauxhall Road - P.O. Box 129
 Union, NJ 07083
 800-334-2212
 www.exceline.com

ExcelLine is a Philips group brand

Product information is subject to change without notice

