

Type No. _____

Catalog No. _____

Job. Name _____

SkyLyter Bullet Series

Architectural PAR38/R40 HID Bullets

APPLICATIONS

- Safety, Security, Accent Uplighting, Facade, and Landscape Lighting, Flagpoles.

CONSTRUCTION

- Precision die-cast aluminum housing.
- Corrosion resistant Duraplex II Wrinkle Bronze polyester powder coated finish.
- Optional designer finishes available (consult factory).

OPTICS

- Heat and shock tempered glass lens.
- Die-cast extender with tempered glass lens sealed with RTV.
- Lamps used determine distribution.

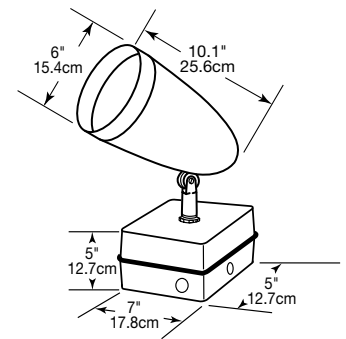


ELECTRICAL

- Deluxe glazed porcelain 4KV socket medium base plate screw-shell and spring-loaded center contact.
- All metal halide fixtures are pulse start.

MOUNTING

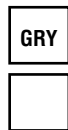
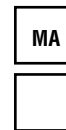
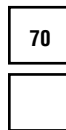
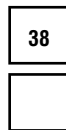
- Surface mounting only.
- Ballast box should be mounted on concrete pad with suitable barrier or spacing between housing and pad to prevent corrosion.
- Lower section of box has one hole on each of four sides and two on bottom tapped 1/2" NPS for surface or through-wall conduit.



WARRANTY/LISTINGS

- UL 1598 listed for wet locations.
- Published one year limited warranty.

Ordering Guide Example: SL3870MAGRY



Prefix	Size	Wattage	Source	Finish
--------	------	---------	--------	--------

SL

38

70

MA

GRY= Wrinkle Gray
 BRW= Wrinkle Bronze
 BLK= Wrinkle Black
 GRW= Wrinkle Green
 WHW= Wrinkle White

Accessories

- P150A= 120v Light Leveler photocontrol
- P150M= 208-277v Light Leveler photocontrol
- P150E= 480v Light Leveler photocontrol
- P150F= Multi-Tap Light Leveler photocontrol



2345 Vauxhall Road - P.O. Box 129
 Union, NJ 07083
 800-334-2212
 www.exceline.com

ExcelLine is a Philips group brand

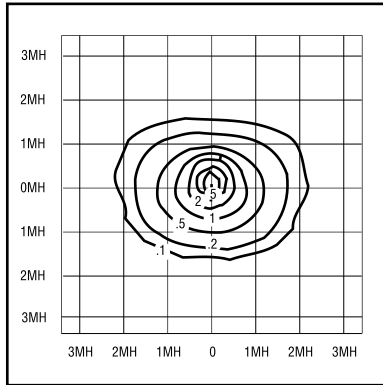
Product information is subject to change without notice



Vertex™ Accent Series

High-Performance Mini-Flood Accent Series

Accent Flood



Cat. No: VRA150LXL-#
 Lamp: C150 S55 / M
 Lumens: 16,000
 Mtg. Hgt.: 30 ft.
 Aiming Point: Tilt Angle 7.5°
 Field Angle (10%) 74° H x 63° V
 Beam Angle (50%) 24° H x 27° V
 Accent Optics

FOOTCANDLE CORRECTION

Multiply the following factors times the footcandle values for changes in mounting height:

To Change From 20'

New Height	10'	12'	14'	15'	16'
Factor	4.0	2.78	1.78	1.56	1.23

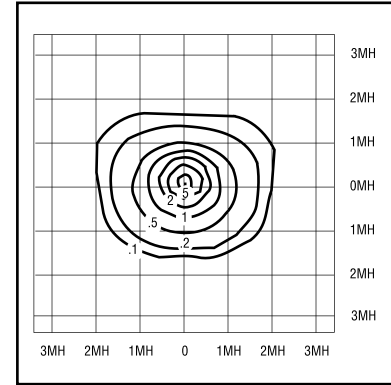
NOTE: For mounting heights other than those in table, multiply footcandle values time the following factor:

$$\text{Multiplier} = \frac{400}{(\text{Actual Mtg. Height})^2}$$

Multiply the following factors times the footcandle values for changes in lamps/watts:

50W HPS	.25	70W PMA	.36
70W HPS	.40	100W PMA	.57
100W HPS	.59	150W PMA	1.00
150W HPS	1.00		

Accent Flood



Cat. No: VRA150PMAL-#
 Lamp: MH175 / U / MED
 Lumens: 15,000
 Mtg. Hgt.: 30 ft.
 Aiming Point: Tilt Angle 7.5°
 Field Angle (10%) 112° H x 78° V
 Beam Angle (50%) 36° H x 34° V
 Accent Optics



2345 Vauxhall Road - P.O. Box 129
 Union, NJ 07083
 800-334-2212
 www.exceline.com

ExcelLine is a Philips group brand

Product information is subject to change without notice

