



# Installation Instructions for Kaleidoshade Series RSA Shade

Read instructions carefully before attempting to install fixture.  
Retain instructions for future reference.



## GENERAL SAFETY INFORMATION

**WARNING: Do not handle an energized fixture or energize any fixture with wet hands or when standing on a wet or damp surface, or in water.**

External parts of fixture develop high operating temperatures. To avoid possible pain or injury, do not touch external parts of fixture when it is in operation. Turn off power and allow fixture to cool before touching for any reason.

1. This fixture must be properly fused and wired in accordance with all electrical and safety codes and ordinances, as well as the most recent National Electric Code (NEC).
2. This fixture must be adequately grounded for your protection against shock hazards and to assure proper operation.
3. All wiring should be performed by a qualified licensed electrician.
4. Make certain that the power source conforms to the requirements of this fixture.
5. Disconnect power before installing or servicing. If the power disconnect switch is out of sight, lock it in the open position and tag it to prevent unexpected application of power.
6. This fixture is intended to be used for general lighting in a normal open-air ambient. Do not install in dead air, sheltered, buried or boxed-in locations. This fixture should not be installed in areas that will entrap heat. It is not intended to be used in potentially dangerous locations such as flammable or explosive atmospheres.
7. Failure to follow above safety instructions could result in fatal shock or fire hazards.

## INSTALLATION

**WARNING:** Make sure that all power is turned off while installing unit. Do not turn power on until fixture is completely installed. Turn power off at circuit breaker box.

Refer to appropriate Section.

### Operation

Switch unit "on" using circuit breaker controlling unit.

### Maintenance

Periodically check and remove any accumulated dirt from the lens and around fixture.

## TROUBLESHOOTING GUIDE

Symptoms	Possible Cause(s)	Corrective Action
Lamp does not light	1. No power to unit.	1. Check circuit protection device (circuit breaker, fuse or switch).
	2. Loose lamp connection	2. Remove lamp, clean contacts and tighten in socket.
	3. Burned out lamp	3. Replace
	4. Loose wiring	4. Recheck wiring connections.

with power off

## LIMITED FIVE YEAR WARRANTY

Exceline warrants its products against defects in material and workmanship. Without charge, Exceline will either repair or replace (Exceline reserves the right to decide between repair and replacement) any properly installed Exceline product which fails under normal operating conditions within FIVE YEARS from date of shipment, provided it is returned to the factory, transportation prepaid, and our inspection determines it to be defective under terms of this warranty. This warranty extends to any standard finish that we furnish on our fixtures under normal use, provided that the conditions stated previously are met.

This warranty covers only equipment manufactured by Exceline and does not extend to transportation, installation or replacement charges; nor does it apply to any other equipment of another manufacturer used in conjunction with Exceline equipment. No other warranty, expressed or implied, exists beyond that included in this statement.

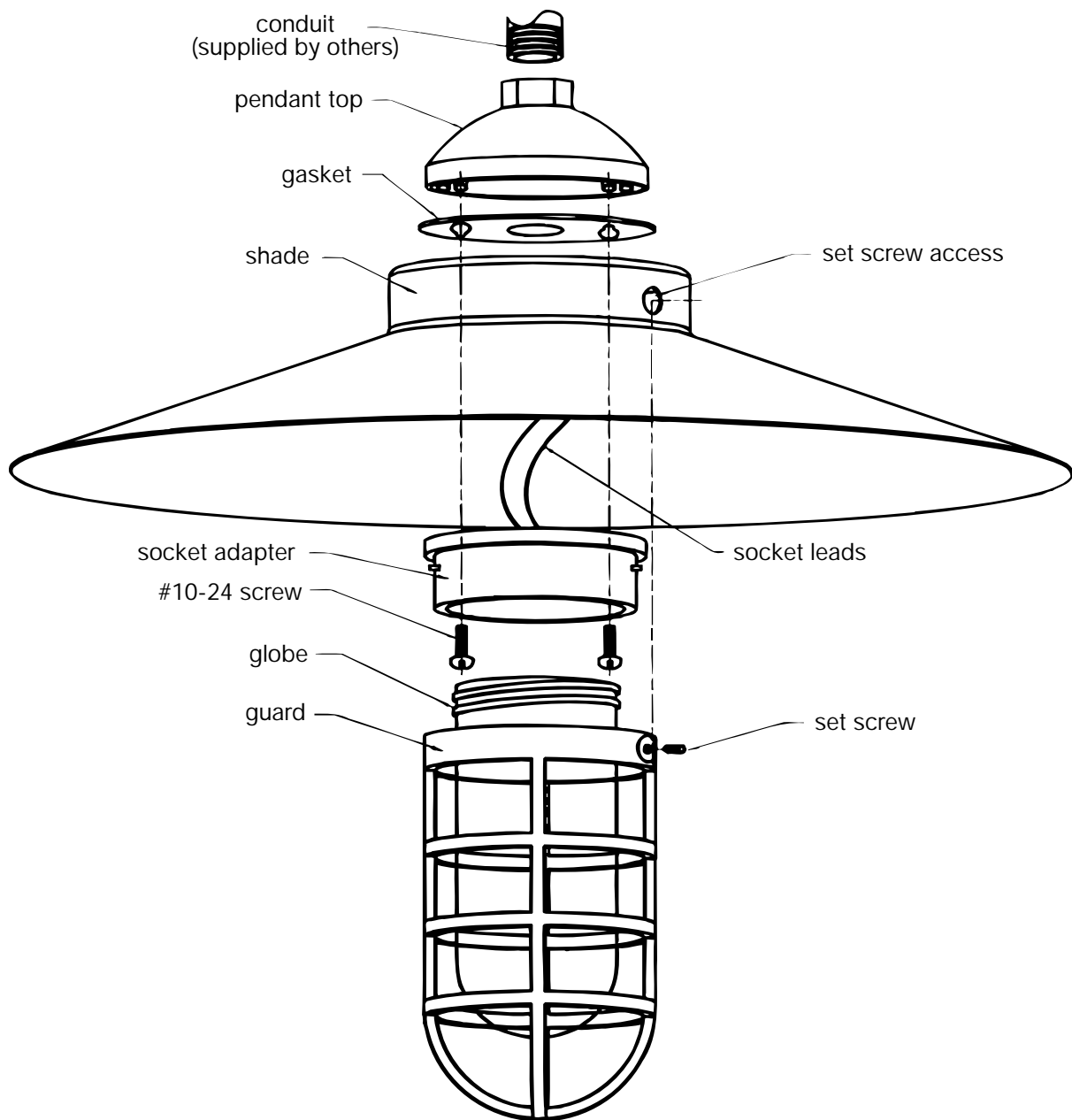
Lamps that are included in Exceline lighting fixtures are covered by lamp manufacturers' warranty.

Ballasts that are included in Exceline lighting fixtures are covered by ballast manufacturers' warranty.



# Installation Instructions for Kaleidoshade Series RSA Shade

---



1. Feed supply wires through conduit.
2. Install pendant top to conduit.
3. Start #10-24 screws in inner threaded holes in pendant top.
4. Feed socket leads through shade and gasket.
5. Make wiring connection in pendant top.
6. Slide gasket, shade, and socket adapter over screws and turn to hold in place.
7. Tighten screws to clamp gasket and shade between pendant top and socket adapter.
8. Install lamp.
9. Screw globe into socket adapter.
10. Install guard onto socket adapter, turn to align set screws with access holes.
11. Tighten set screws on guard through access holes in shade.



# Installation Instructions for Kaleidoshade Series RTT Shade

Read instructions carefully before attempting to install fixture.  
Retain instructions for future reference.



## GENERAL SAFETY INFORMATION

**WARNING: Do not handle an energized fixture or energize any fixture with wet hands or when standing on a wet or damp surface, or in water.**

External parts of fixture develop high operating temperatures. To avoid possible pain or injury, do not touch external parts of fixture when it is in operation. Turn off power and allow fixture to cool before touching for any reason.

1. This fixture must be properly fused and wired in accordance with all electrical and safety codes and ordinances, as well as the most recent National Electric Code (NEC).
2. This fixture must be adequately grounded for your protection against shock hazards and to assure proper operation.
3. All wiring should be performed by a qualified licensed electrician.
4. Make certain that the power source conforms to the requirements of this fixture.
5. Disconnect power before installing or servicing. If the power disconnect switch is out of sight, lock it in the open position and tag it to prevent unexpected application of power.
6. This fixture is intended to be used for general lighting in a normal open-air ambient. Do not install in dead air, sheltered, buried or boxed-in locations. This fixture should not be installed in areas that will entrap heat. It is not intended to be used in potentially dangerous locations such as flammable or explosive atmospheres.
7. Failure to follow above safety instructions could result in fatal shock or fire hazards.

## INSTALLATION

**WARNING:** Make sure that all power is turned off while installing unit. Do not turn power on until fixture is completely installed. Turn power off at circuit breaker box.

Refer to appropriate Section.

### Operation

Switch unit "on" using circuit breaker controlling unit.

### Maintenance

Periodically check and remove any accumulated dirt from the lens and around fixture.

## TROUBLESHOOTING GUIDE

Symptoms	Possible Cause(s)	Corrective Action
Lamp does not light	1. No power to unit.	1. Check circuit protection device (circuit breaker, fuse or switch).
	2. Loose lamp connection	2. Remove lamp, clean contacts and tighten in socket.
	3. Burned out lamp	3. Replace
	4. Loose wiring	4. Recheck wiring connections.

**with power off**

## LIMITED FIVE YEAR WARRANTY

Exceline warrants its products against defects in material and workmanship. Without charge, Exceline will either repair or replace (Exceline reserves the right to decide between repair and replacement) any properly installed Exceline product which fails under normal operating conditions within FIVE YEARS from date of shipment, provided it is returned to the factory, transportation prepaid, and our inspection determines it to be defective under terms of this warranty. This warranty extends to any standard finish that we furnish on our fixtures under normal use, provided that the conditions stated previously are met.

This warranty covers only equipment manufactured by Exceline and does not extend to transportation, installation or replacement charges; nor does it apply to any other equipment of another manufacturer used in conjunction with Exceline equipment. No other warranty, expressed or implied, exists beyond that included in this statement.

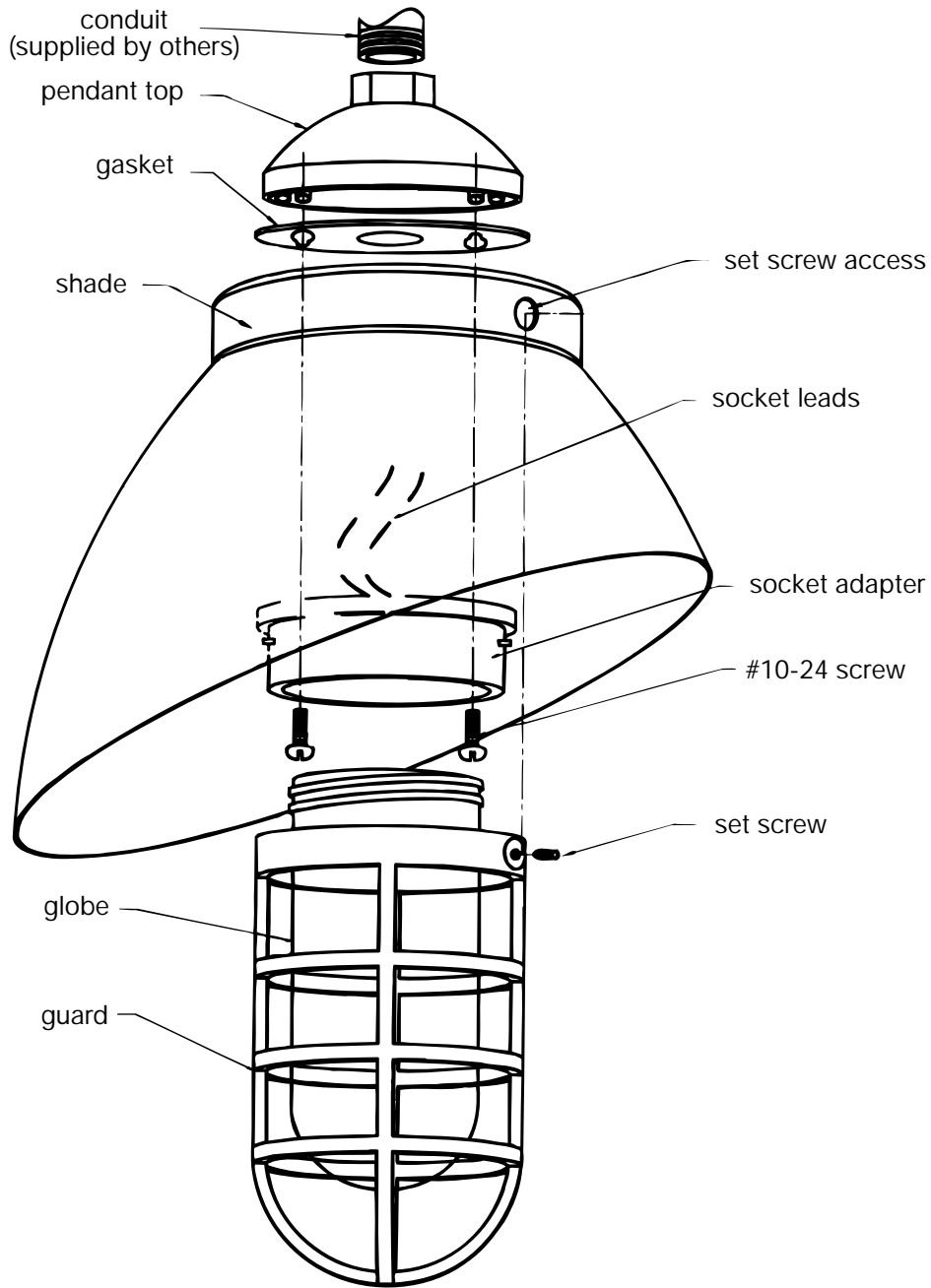
Lamps that are included in Exceline lighting fixtures are covered by lamp manufacturers' warranty.

Ballasts that are included in Exceline lighting fixtures are covered by ballast manufacturers' warranty.



# Installation Instructions for Kaleidoshade Series RTT Shade

---



1. Feed supply wires through conduit.
2. Install pendant top to conduit.
3. Start #10-24 screws in inner threaded holes in pendant top.
4. Feed socket leads through shade and gasket.
5. Make wiring connection in pendant top.
6. Slide gasket, shade, and socket adapter over screws and turn to hold in place.
7. Tighten screws to clamp gasket and shade between pendant top and socket adapter.
8. Install lamp.
9. Screw globe into socket adapter.
10. Install guard onto socket adapter, turn to align set screws with access holes.
11. Tighten set screws on guard through access holes in shade.



# Installation Instructions for Kaleidoshade Series RIN Shade

Read instructions carefully before attempting to install fixture.  
Retain instructions for future reference.



## GENERAL SAFETY INFORMATION

**WARNING: Do not handle an energized fixture or energize any fixture with wet hands or when standing on a wet or damp surface, or in water.**

External parts of fixture develop high operating temperatures. To avoid possible pain or injury, do not touch external parts of fixture when it is in operation. Turn off power and allow fixture to cool before touching for any reason.

1. This fixture must be properly fused and wired in accordance with all electrical and safety codes and ordinances, as well as the most recent National Electric Code (NEC).
2. This fixture must be adequately grounded for your protection against shock hazards and to assure proper operation.
3. All wiring should be performed by a qualified licensed electrician.
4. Make certain that the power source conforms to the requirements of this fixture.
5. Disconnect power before installing or servicing. If the power disconnect switch is out of sight, lock it in the open position and tag it to prevent unexpected application of power.
6. This fixture is intended to be used for general lighting in a normal open-air ambient. Do not install in dead air, sheltered, buried or boxed-in locations. This fixture should not be installed in areas that will entrap heat. It is not intended to be used in potentially dangerous locations such as flammable or explosive atmospheres.
7. Failure to follow above safety instructions could result in fatal shock or fire hazards.

## INSTALLATION

**WARNING:** Make sure that all power is turned off while installing unit. Do not turn power on until fixture is completely installed. Turn power off at circuit breaker box.

Refer to appropriate Section.

### Operation

Switch unit "on" using circuit breaker controlling unit.

### Maintenance

Periodically check and remove any accumulated dirt from the lens and around fixture.

## TROUBLESHOOTING GUIDE

Symptoms	Possible Cause(s)	Corrective Action
Lamp does not light	1. No power to unit.	1. Check circuit protection device (circuit breaker, fuse or switch).
	2. Loose lamp connection	2. Remove lamp, clean contacts and tighten in socket.
	3. Burned out lamp	3. Replace
	4. Loose wiring	4. Recheck wiring connections.

**with power off**

## LIMITED FIVE YEAR WARRANTY

Exceline warrants its products against defects in material and workmanship. Without charge, Exceline will either repair or replace (Exceline reserves the right to decide between repair and replacement) any properly installed Exceline product which fails under normal operating conditions within FIVE YEARS from date of shipment, provided it is returned to the factory, transportation prepaid, and our inspection determines it to be defective under terms of this warranty. This warranty extends to any standard finish that we furnish on our fixtures under normal use, provided that the conditions stated previously are met.

This warranty covers only equipment manufactured by Exceline and does not extend to transportation, installation or replacement charges; nor does it apply to any other equipment of another manufacturer used in conjunction with Exceline equipment. No other warranty, expressed or implied, exists beyond that included in this statement.

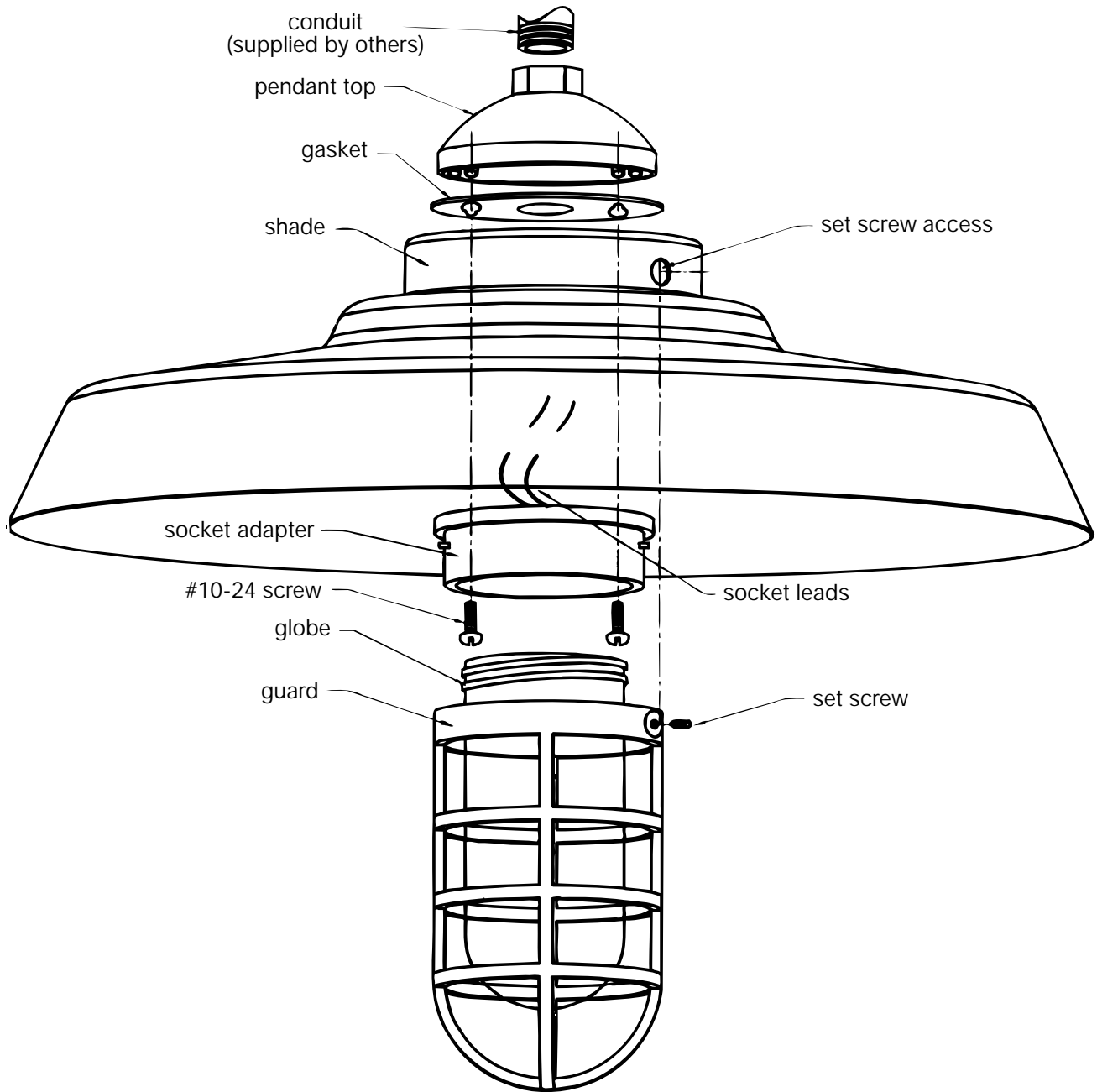
Lamps that are included in Exceline lighting fixtures are covered by lamp manufacturers' warranty.

Ballasts that are included in Exceline lighting fixtures are covered by ballast manufacturers' warranty.



# Installation Instructions for Kaleidoshade Series RIN Shade

---



1. Feed supply wires through conduit.
2. Install pendant top to conduit.
3. Start #10-24 screws in inner threaded holes in pendant top.
4. Feed socket leads through shade and gasket.
5. Make wiring connection in pendant top.
6. Slide gasket, shade, and socket adapter over screws and turn to hold in place.
7. Tighten screws to clamp gasket and shade between pendant top and socket adapter.
8. Install lamp.
9. Screw globe into socket adapter.
10. Install guard onto socket adapter, turn to align set screws with access holes.
11. Tighten set screws on guard through access holes in shade.



# Installation Instructions for Kaleidoscope Series RIN100G and RIN200G Wire Guards

Read instructions carefully before attempting to install fixture.  
Retain instructions for future reference.



## GENERAL SAFETY INFORMATION

**WARNING: Do not handle an energized fixture or energize any fixture with wet hands or when standing on a wet or damp surface, or in water.**

External parts of fixture develop high operating temperatures. To avoid possible pain or injury, do not touch external parts of fixture when it is in operation. Turn off power and allow fixture to cool before touching for any reason.

1. This fixture must be properly fused and wired in accordance with all electrical and safety codes and ordinances, as well as the most recent National Electric Code (NEC).
2. This fixture must be adequately grounded for your protection against shock hazards and to assure proper operation.
3. All wiring should be performed by a qualified licensed electrician.
4. Make certain that the power source conforms to the requirements of this fixture.
5. Disconnect power before installing or servicing. If the power disconnect switch is out of sight, lock it in the open position and tag it to prevent unexpected application of power.
6. This fixture is intended to be used for general lighting in a normal open-air ambient. Do not install in dead air, sheltered, buried or boxed-in locations. This fixture should not be installed in areas that will entrap heat. It is not intended to be used in potentially dangerous locations such as flammable or explosive atmospheres.
7. Failure to follow above safety instructions could result in fatal shock or fire hazards.

## INSTALLATION

**WARNING:** Make sure that all power is turned off while installing unit. Do not turn power on until fixture is completely installed. Turn power off at circuit breaker box.

Refer to appropriate Section.

### Operation

Switch unit "on" using circuit breaker controlling unit.

### Maintenance

Periodically check and remove any accumulated dirt from the lens and around fixture.

## TROUBLESHOOTING GUIDE

Symptoms	Possible Cause(s)	Corrective Action
Lamp does not light	1. No power to unit.	1. Check circuit protection device (circuit breaker, fuse or switch).
	2. Loose lamp connection	2. Remove lamp, clean contacts and tighten in socket.
	3. Burned out lamp	3. Replace
	4. Loose wiring	4. Recheck wiring connections.

**with power off**

## LIMITED FIVE YEAR WARRANTY

ExceLine warrants its products against defects in material and workmanship. Without charge, ExceLine will either repair or replace (ExceLine reserves the right to decide between repair and replacement) any properly installed ExceLine product which fails under normal operating conditions within FIVE YEARS from date of shipment, provided it is returned to the factory, transportation prepaid, and our inspection determines it to be defective under terms of this warranty. This warranty extends to any standard finish that we furnish on our fixtures under normal use, provided that the conditions stated previously are met.

This warranty covers only equipment manufactured by ExceLine and does not extend to transportation, installation or replacement charges; nor does it apply to any other equipment of another manufacturer used in conjunction with ExceLine equipment. No other warranty, expressed or implied, exists beyond that included in this statement.

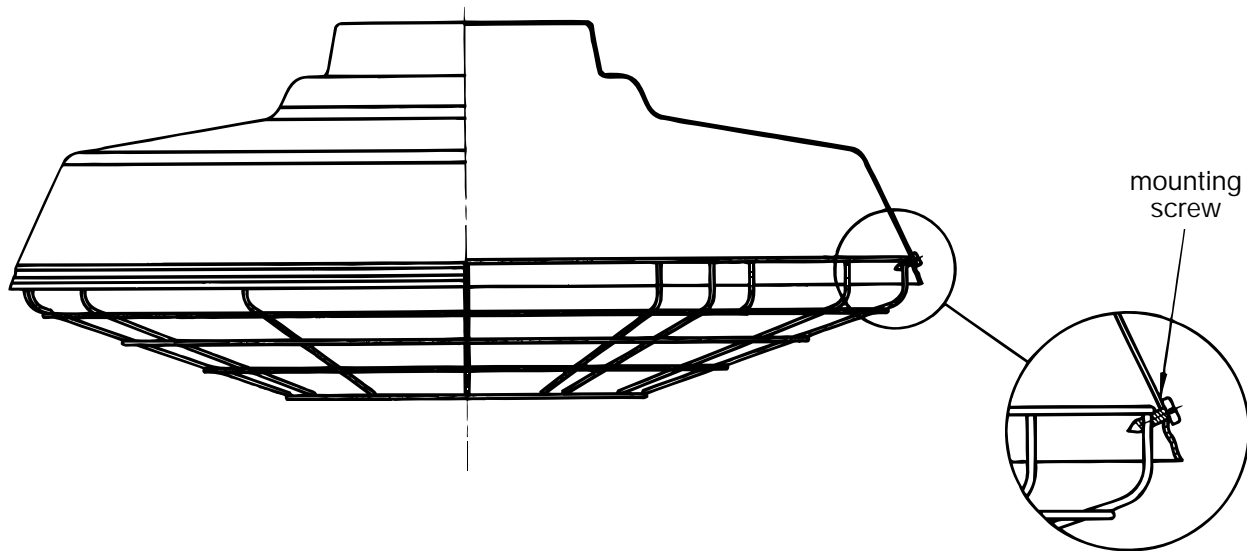
Lamps that are included in ExceLine lighting fixtures are covered by lamp manufacturers' warranty.

Ballasts that are included in ExceLine lighting fixtures are covered by ballast manufacturers' warranty.



# Installation Instructions for Kaleidoscope Series RIN100G and RIN200G Wire Guards

---



1. Drill three 1/8" dia. holes in reflector edge at 120 degrees apart as shown. Reflectors may be supplied with holes.
2. Place guard in reflector lip as shown. Install screws thru holes so that the wire is trapped under the body of the screw. Do not over tighten.



# Installation Instructions for Kaleidoshade Series RDB Shade

Read instructions carefully before attempting to install fixture.  
Retain instructions for future reference.



## GENERAL SAFETY INFORMATION

**WARNING: Do not handle an energized fixture or energize any fixture with wet hands or when standing on a wet or damp surface, or in water.**

External parts of fixture develop high operating temperatures. To avoid possible pain or injury, do not touch external parts of fixture when it is in operation. Turn off power and allow fixture to cool before touching for any reason.

1. This fixture must be properly fused and wired in accordance with all electrical and safety codes and ordinances, as well as the most recent National Electric Code (NEC).
2. This fixture must be adequately grounded for your protection against shock hazards and to assure proper operation.
3. All wiring should be performed by a qualified licensed electrician.
4. Make certain that the power source conforms to the requirements of this fixture.
5. Disconnect power before installing or servicing. If the power disconnect switch is out of sight, lock it in the open position and tag it to prevent unexpected application of power.
6. This fixture is intended to be used for general lighting in a normal open-air ambient. Do not install in dead air, sheltered, buried or boxed-in locations. This fixture should not be installed in areas that will entrap heat. It is not intended to be used in potentially dangerous locations such as flammable or explosive atmospheres.
7. Failure to follow above safety instructions could result in fatal shock or fire hazards.

## INSTALLATION

**WARNING:** Make sure that all power is turned off while installing unit. Do not turn power on until fixture is completely installed. Turn power off at circuit breaker box.

Refer to appropriate Section.

### Operation

Switch unit "on" using circuit breaker controlling unit.

### Maintenance

Periodically check and remove any accumulated dirt from the lens and around fixture.

## TROUBLESHOOTING GUIDE

Symptoms	Possible Cause(s)	Corrective Action
Lamp does not light	1. No power to unit.	1. Check circuit protection device (circuit breaker, fuse or switch).
	2. Loose lamp connection	2. Remove lamp, clean contacts and tighten in socket.
	3. Burned out lamp	3. Replace
	4. Loose wiring	4. Recheck wiring connections.

**with power off**

## LIMITED FIVE YEAR WARRANTY

Exceline warrants its products against defects in material and workmanship. Without charge, Exceline will either repair or replace (Exceline reserves the right to decide between repair and replacement) any properly installed Exceline product which fails under normal operating conditions within FIVE YEARS from date of shipment, provided it is returned to the factory, transportation prepaid, and our inspection determines it to be defective under terms of this warranty. This warranty extends to any standard finish that we furnish on our fixtures under normal use, provided that the conditions stated previously are met.

This warranty covers only equipment manufactured by Exceline and does not extend to transportation, installation or replacement charges; nor does it apply to any other equipment of another manufacturer used in conjunction with Exceline equipment. No other warranty, expressed or implied, exists beyond that included in this statement.

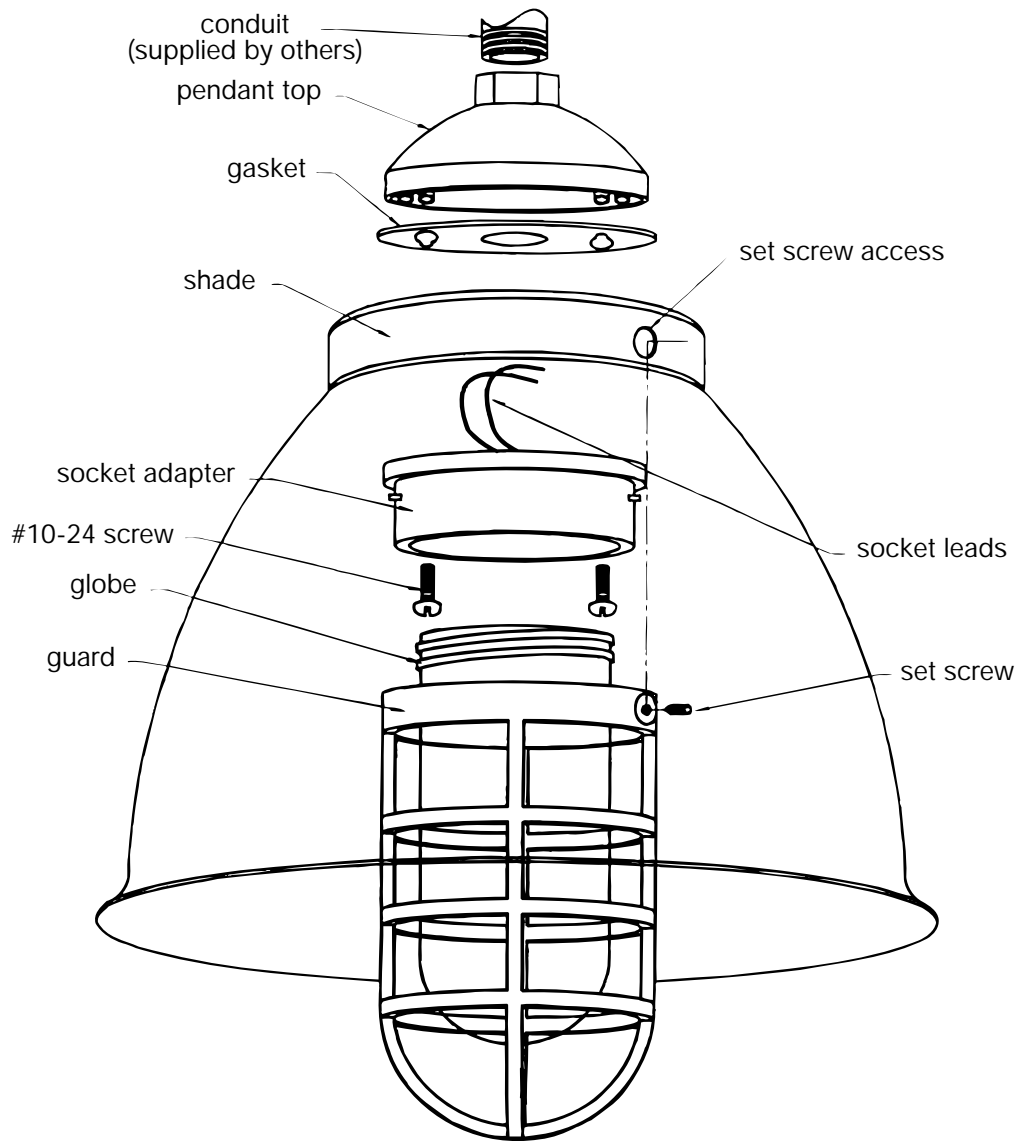
Lamps that are included in Exceline lighting fixtures are covered by lamp manufacturers' warranty.

Ballasts that are included in Exceline lighting fixtures are covered by ballast manufacturers' warranty.



# Installation Instructions for Kaleidoshade Series RDB Shade

---



1. Feed supply wires through conduit.
2. Install pendant top to conduit.
3. Start #10-24 screws in inner threaded holes in pendant top.
4. Feed socket leads through shade and gasket.
5. Make wiring connection in pendant top.
6. Slide gasket, shade, and socket adapter over screws and turn to hold in place.
7. Tighten screws to clamp gasket and shade between pendant top and socket adapter.
8. Install lamp.
9. Screw globe into socket adapter.
10. Install guard onto socket adapter, turn to align set screws with access holes.
11. Tighten set screws on guard through access holes in shade.



# Installation Instructions for HID Kaleidoshade with 14" Aluminum Reflector

Read instructions carefully before attempting to install fixture.  
Retain instructions for future reference.



## GENERAL SAFETY INFORMATION

**WARNING: Do not handle an energized fixture or energize any fixture with wet hands or when standing on a wet or damp surface, or in water.**

External parts of fixture develop high operating temperatures. To avoid possible pain or injury, do not touch external parts of fixture when it is in operation. Turn off power and allow fixture to cool before touching for any reason.

1. This fixture must be properly fused and wired in accordance with all electrical and safety codes and ordinances, as well as the most recent National Electric Code (NEC).
2. This fixture must be adequately grounded for your protection against shock hazards and to assure proper operation.
3. All wiring should be performed by a qualified licensed electrician.
4. Make certain that the power source conforms to the requirements of this fixture.
5. Disconnect power before installing or servicing. If the power disconnect switch is out of sight, lock it in the open position and tag it to prevent unexpected application of power.
6. This fixture is intended to be used for general lighting in a normal open-air ambient. Do not install in dead air, sheltered, buried or boxed-in locations. This fixture should not be installed in areas that will entrap heat. It is not intended to be used in potentially dangerous locations such as flammable or explosive atmospheres.
7. Failure to follow above safety instructions could result in fatal shock or fire hazards.

## INSTALLATION

**WARNING:** Make sure that all power is turned off while installing unit. Do not turn power on until fixture is completely installed. Turn power off at circuit breaker box.

Refer to appropriate Section.

### Operation

Switch unit "on" using circuit breaker controlling unit.

### Maintenance

Periodically check and remove any accumulated dirt from the lens and around fixture.

## TROUBLESHOOTING GUIDE

Symptoms	Possible Cause(s)	Corrective Action
Lamp does not light	1. No power to unit.	1. Check circuit protection device (circuit breaker, fuse or switch).
	2. Loose lamp connection	2. Remove lamp, clean contacts and tighten in socket.
	3. Burned out lamp	3. Replace
	4. Loose wiring	4. Recheck wiring connections.

**with power off**

## LIMITED FIVE YEAR WARRANTY

Exceline warrants its products against defects in material and workmanship. Without charge, Exceline will either repair or replace (Exceline reserves the right to decide between repair and replacement) any properly installed Exceline product which fails under normal operating conditions within FIVE YEARS from date of shipment, provided it is returned to the factory, transportation prepaid, and our inspection determines it to be defective under terms of this warranty. This warranty extends to any standard finish that we furnish on our fixtures under normal use, provided that the conditions stated previously are met.

This warranty covers only equipment manufactured by Exceline and does not extend to transportation, installation or replacement charges; nor does it apply to any other equipment of another manufacturer used in conjunction with Exceline equipment. No other warranty, expressed or implied, exists beyond that included in this statement.

Lamps that are included in Exceline lighting fixtures are covered by lamp manufacturers' warranty.

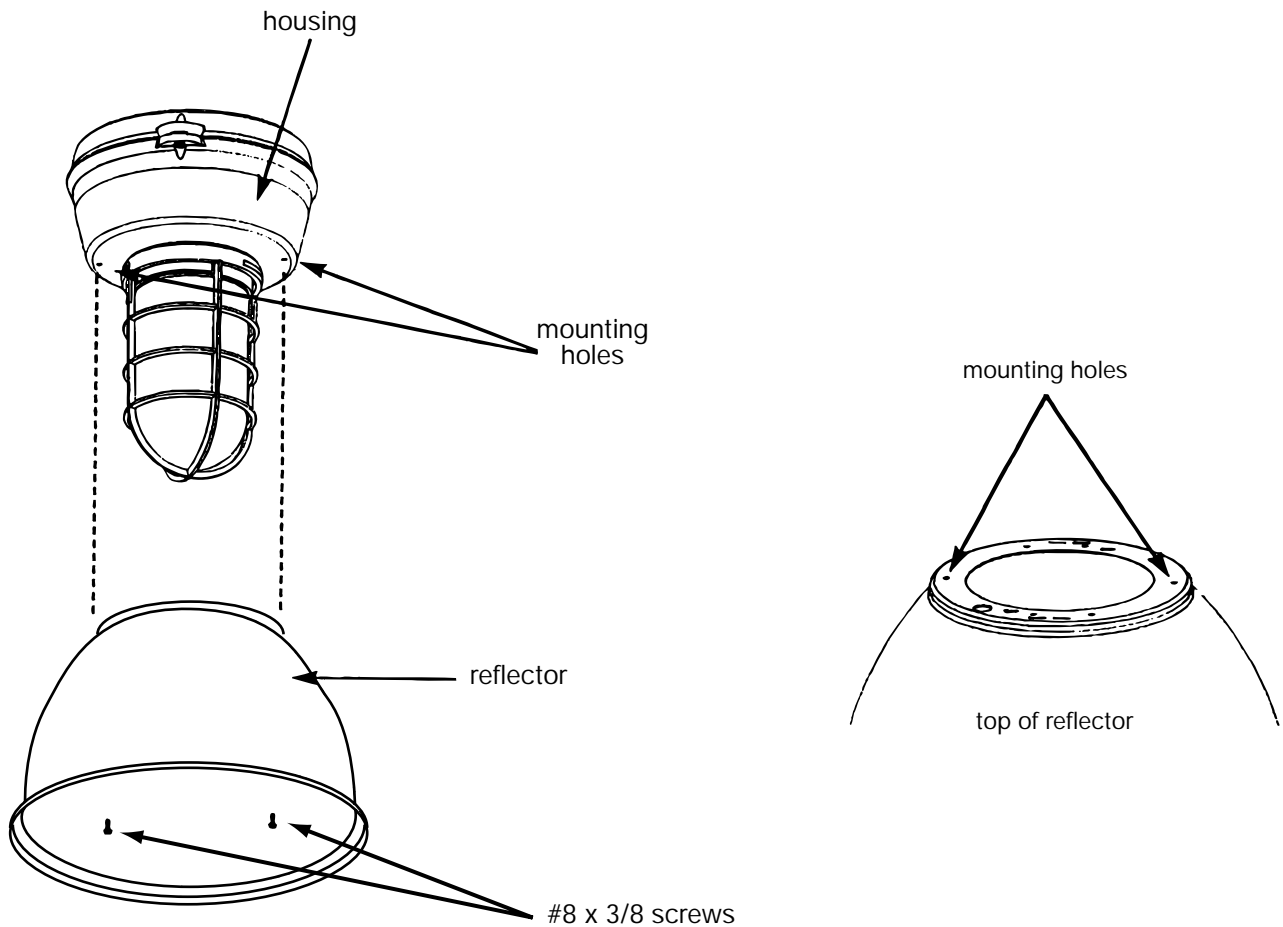
Ballasts that are included in Exceline lighting fixtures are covered by ballast manufacturers' warranty.



# Installation Instructions for HID Kaleidoshade with 14" Aluminum Reflector

---

1. Line up mounting holes in reflector with mounting holes in housing as shown.
2. Secure with (2) #8 x 3/8 screws (provided).





# Installation Instructions for Kaleidoshade Series Acrylic Prismatic Shades

Catalog Nos.-RG16R + RG12R

Read instructions carefully before attempting to install fixture.  
Retain instructions for future reference.



## GENERAL SAFETY INFORMATION

**WARNING: Do not handle an energized fixture or energize any fixture with wet hands or when standing on a wet or damp surface, or in water.**

External parts of fixture develop high operating temperatures. To avoid possible pain or injury, do not touch external parts of fixture when it is in operation. Turn off power and allow fixture to cool before touching for any reason.

1. This fixture must be properly fused and wired in accordance with all electrical and safety codes and ordinances, as well as the most recent National Electric Code (NEC).
2. This fixture must be adequately grounded for your protection against shock hazards and to assure proper operation.
3. All wiring should be performed by a qualified licensed electrician.
4. Make certain that the power source conforms to the requirements of this fixture.
5. Disconnect power before installing or servicing. If the power disconnect switch is out of sight, lock it in the open position and tag it to prevent unexpected application of power.
6. This fixture is intended to be used for general lighting in a normal open-air ambient. Do not install in dead air, sheltered, buried or boxed-in locations. This fixture should not be installed in areas that will entrap heat. It is not intended to be used in potentially dangerous locations such as flammable or explosive atmospheres.
7. Failure to follow above safety instructions could result in fatal shock or fire hazards.

## INSTALLATION

**WARNING:** Make sure that all power is turned off while installing unit. Do not turn power on until fixture is completely installed. Turn power off at circuit breaker box.

Refer to appropriate Section.

### Operation

Switch unit "on" using circuit breaker controlling unit.

### Maintenance

Periodically check and remove any accumulated dirt from the lens and around fixture.

## TROUBLESHOOTING GUIDE

Symptoms	Possible Cause(s)	Corrective Action
Lamp does not light	1. No power to unit.	1. Check circuit protection device (circuit breaker, fuse or switch).
	2. Loose lamp connection	2. Remove lamp, clean contacts and tighten in socket.
	3. Burned out lamp	3. Replace
	4. Loose wiring	4. Recheck wiring connections.

**with power off**

## LIMITED FIVE YEAR WARRANTY

Exceline warrants its products against defects in material and workmanship. Without charge, Exceline will either repair or replace (Exceline reserves the right to decide between repair and replacement) any properly installed Exceline product which fails under normal operating conditions within FIVE YEARS from date of shipment, provided it is returned to the factory, transportation prepaid, and our inspection determines it to be defective under terms of this warranty. This warranty extends to any standard finish that we furnish on our fixtures under normal use, provided that the conditions stated previously are met.

This warranty covers only equipment manufactured by Exceline and does not extend to transportation, installation or replacement charges; nor does it apply to any other equipment of another manufacturer used in conjunction with Exceline equipment. No other warranty, expressed or implied, exists beyond that included in this statement.

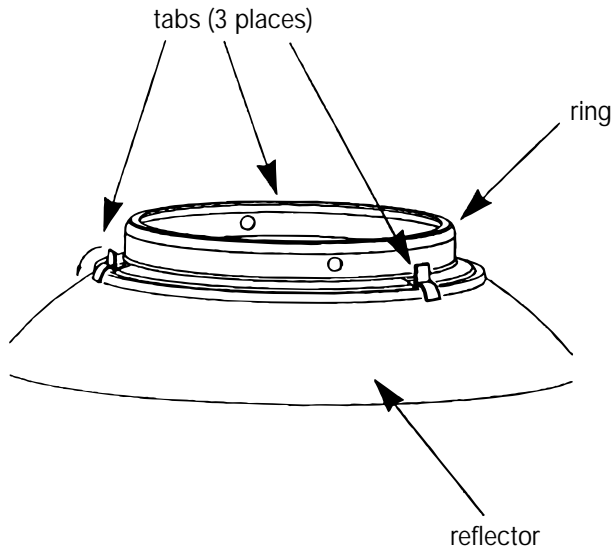
Lamps that are included in Exceline lighting fixtures are covered by lamp manufacturers' warranty.

Ballasts that are included in Exceline lighting fixtures are covered by ballast manufacturers' warranty.

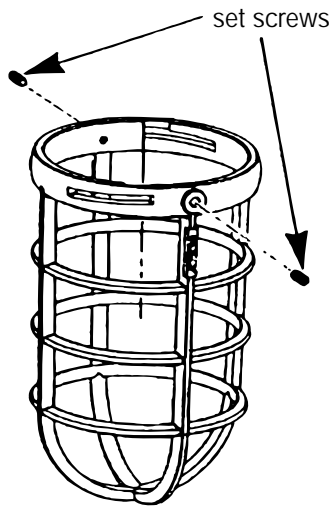


# Installation Instructions for Kaleidoshade Series Acrylic Prismatic Shade Luminaire

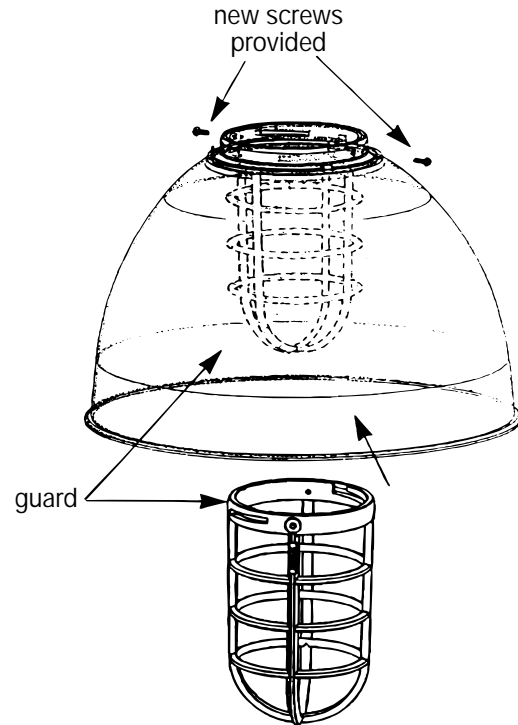
1. Attach ring to reflector and bend tabs as shown.



2. Remove standard set screws from guard.



3. Install guard into reflector assembly as shown and install new screws (provided) partially into guard through ring.



4. Install complete reflector/guard adapter. Turn into place and tighten new screws to secure.

