

SpotLyte Par64 Series

Line Voltage Incandescent Pencil Beam

APPLICATIONS

- Flag Poles, Billboard, Facades, Church Steeples, Columns, Clock Towers, Stained Glass.

CONSTRUCTION

- Precision die-cast aluminum housing.
- Natural Aluminum finish, standard .
- Optional designer finishes available. See page 391 for color samples.
- Cast-in ribbing extends surface area for more effective heat dissipation, longer lamp life.
- Clear heat tempered glass lens, gasketed.

ELECTRICAL

- Units are wired up to mogul end prongs and silicone gasketed for weather resistance.

OPTICS

- Controlled by lamp type distribution.
- Ranges from wide flood (25° x 50°) to very narrow spot (10° x 15°).
- Enclosed units equipped with shock and heat resistant tempered glass.

MOUNTING

- Enclosed units for above horizontal aiming.
- Open units must be aimed below horizontal.
- 1/2" NPT adjustable male arm, with serrated teeth, mounts to a variety of standard hardware, for ground, surface, or pole mount.

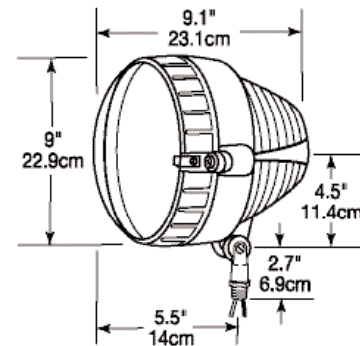
WARRANTY/LISTINGS

- UL 1598 listed for wet locations.
- Published five year limited warranty.



6400/E 500 Watt PAR64

Dimensions



ORDERING GUIDE EXAMPLE: SP6400BRW

| | | | |
|---------------|---------------------------------|--|--|
| SP | 6400 | BRW | |
| SP | | | |
| Prefix | Series | Finish | Accessories |
| SP | 6400 (Open) 6400E (Enclosed) | BRW=Wrinkle Bronze BLK=Wrinkle Black WHT=White Blank=Natural Aluminum | WG64 Wire Guard for PAR64 units GS64 Glare Shield for PAR64 units 6452T Lens & mounting kit for PAR64 units |

Product information is subject to change without notice.

