

SpotLyte Par38/R40 Series

Line Voltage Incandescent Pencil Beam

APPLICATIONS

- Flag Poles, Billboard, Facades, Church Steeples, Columns,
Clock Towers, Stained Glass.

CONSTRUCTION

- Precision die-cast aluminum housing.
- Natural Aluminum finish.
- Optional designer finishes available. See page 391 for color samples.
- Cast-in ribbing extends surface area for more effective heat dissipation, longer lamp life.
- Clear heat-tempered glass lens, gasketed "E" units.

ELECTRICAL

- Units are pre-wired with porcelain socket and silicone gasketed for weather resistance.

OPTICS

- Controlled by lamp type distribution.
- Ranges from wide flood (25° x 50°) to very narrow spot (10° x 15°).
- Enclosed units equipped with shock and heat resistant tempered glass.

MOUNTING

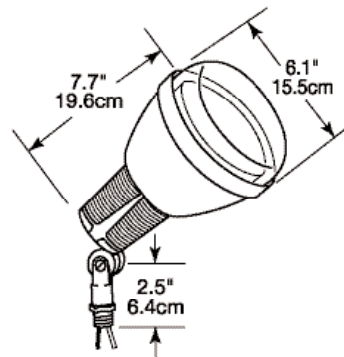
- 1/2" NPT threaded die-cast arm, locknut pre-installed, pre-lubed to facilitate mounting.
- Cast-in quadrants with serrated teeth lock unit in place once aimed.

WARRANTY/LISTINGS



75 to 300 Watt PAR38/R40

Dimensions



ORDERING GUIDE EXAMPLE: SP4400BRW

SP	4400	BRW
SP		
Prefix	Series	Finish
SP	4400 (Open) 4400E (Enclosed)	BRW=Wrinkle Bronze BLK=Wrinkle Black WHT=White Blank=Natural Aluminum

Accessories

- GS44** Glare Shield-270°
- CG44** Cast Guard
- SL44** Clear screws in lens for enclosing
- 4503** 3/4" arm
- SLW10A** Surface adaptor/splice box

Product information is subject to change without notice.