

# Indirector Series™

## Sharpe Size E (29") Asymmetrical Floodlight

### Remote or Integral Ballast

#### APPLICATIONS

- Ideal for Airports, Gymnasiums, Sports Complexes, Atriums, Churches, Schools, Malls, Libraries and Retail Spaces.

#### CONSTRUCTION

- Extruded aluminum housing, door frame, splice chamber/ballast housing.
- Solid, perforated or "Window" optical chamber.
- Die cast aluminum arms.
- Heavy duty die formed end plates.
- Tempered glass lens.
- No exposed fasteners.
- Matte White polyester powder coated finish standard.
- Optional designer finishes available. See inside back cover of ExceLine catalog.

#### OPTICS

- Highly specular segmented/hammertone reflector.
- 45° (from horizontal) peak angle distribution.
- Up to 10% direct component on perforated and "Window" housings.
- Horizontal or below lens positioning.
- Internal reflector adjustment.<sup>1</sup>
- Lockable adjustable arms.
- Lockable adjustable optical assembly.

#### ELECTRICAL

- Remote ballasts standard: 120 or 277V HPF Electronic.
- Integral ballasts optional: 120 or 277V HPF Electronic.
- No exposed wiring.

#### MOUNTING

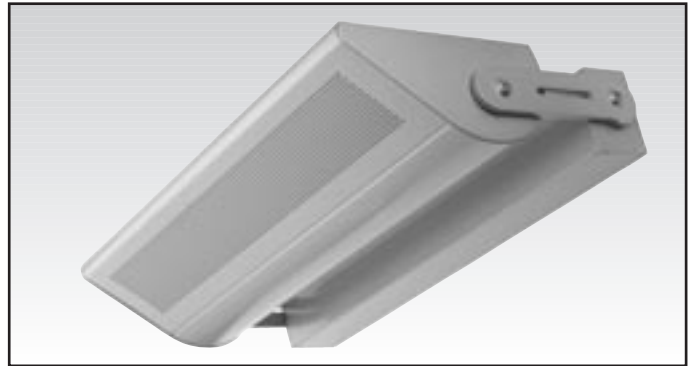
- Wall or ceiling mounted.
- Quick mounting plate with built-in level.
- Integral splice chamber.

#### WARRANTY/LISTINGS

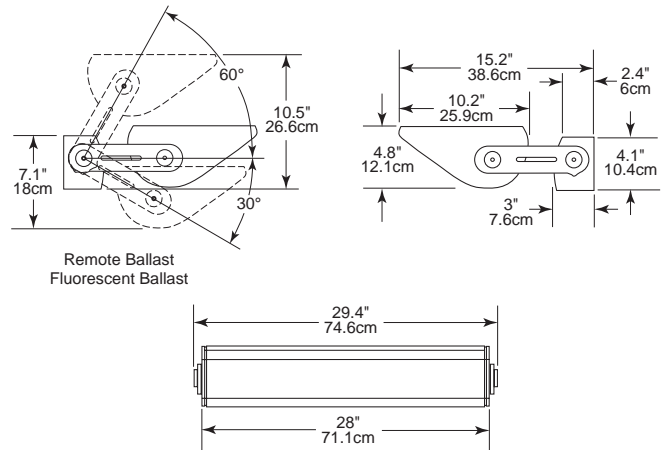
- UL 1598 damp location/optional wet location.<sup>6</sup>
- Published five year limited warranty.

OPTIONS & ACCESSORIES — SEE END OF THIS SECTION.

PHOTOMETRICS — SEE REVERSE SIDE.



1 x 40 to 80 Watt (BX) T5 Compact Fluorescent  
2 x 70 Watt (HF) PLT Compact Fluorescent



#### ORDERING GUIDE EXAMPLE: SHE54BXWHT-4



SH	E	5	4	BX	WHM	-	4
	E		4				
Style	Size	Wattage	Distribution	Source	Finish	Options	Voltage

SH= Sharpe  
SP= Sharpe Perforated<sup>1</sup>  
SW=Sharpe Window<sup>1</sup>

E=29"

4=40(T5)  
5=55(T5)  
8=80(T5)  
27=2x70(PLT)<sup>2</sup>

4=45° Peak Angle<sup>5</sup>

BX<sup>3,4</sup>  
HF<sup>3,4</sup>

WHM=Matte White  
TM= Dark Titanium  
AL= Aluminum (Paint)  
NA=Natural Anodized (Paint)  
BKX=Black Sandtex

IB=Integral Ballast<sup>3</sup>  
WL=Wet Location<sup>4</sup>  
See options/acc's end of this section.

1=120  
4=277

Product information is subject to change without notice.

<sup>1</sup>Internal reflector not adjustable on perforated or "Window units". <sup>2</sup>Consult factory for availability.  
<sup>3</sup>Voltage is 1(120) or 4(277). <sup>4</sup>Maximum ballast to lamp distance is 15'.  
<sup>5</sup>Peak angles may vary. Consult photometry on reverse side.  
<sup>6</sup>Wet location limited to wall mounting, lens up orientation.