

Indirector Series™

Sharpe Size C (17") Asymmetrical Floodlight

Remote or Integral Ballast

APPLICATIONS

- Ideal for Airports, Gymnasiums, Sports Complexes, Atriums, Churches, Schools, Malls, Libraries and Retail Spaces.

CONSTRUCTION

- Extruded aluminum housing, door frame, splice chamber/ballast housing.
- Solid, perforated or "Window" optical chamber.
- Die cast aluminum arms.
- Heavy duty die formed end plates.
- Tempered glass lens.
- No exposed fasteners.
- Matte White polyester powder coated finish standard.
- Optional designer finishes available. See inside back cover of ExceLine catalog.

OPTICS

- Highly specular segmented/hammertone reflector.
- Choice of 35° or 45° (from horizontal) peak angle distribution.
- Up to 10% direct component on perforated and "Window" housings.
- Horizontal or below lens positioning.
- Internal reflector adjustment.¹
- Lockable adjustable arms.
- Lockable adjustable optical assembly.

ELECTRICAL

- Remote ballasts standard: 120/277V HPF/CWA encapsulated Fcan.
- Integral ballasts optional: 120/277V HPF/CWA encapsulated.
- 4KV mogul base socket.
- No exposed wiring.

MOUNTING

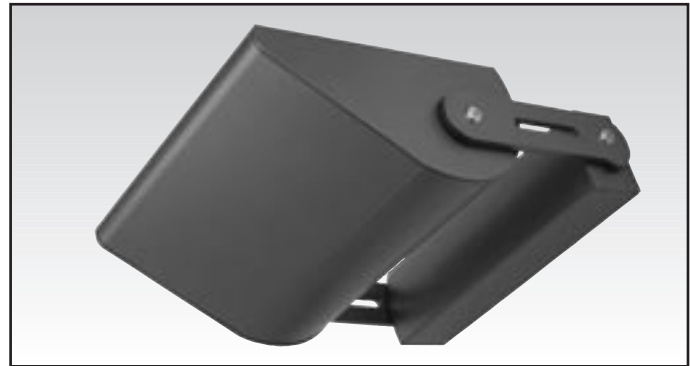
- Wall or ceiling mounted.
- Quick mounting plate with built-in level.
- Integral splice chamber.

WARRANTY/LISTINGS

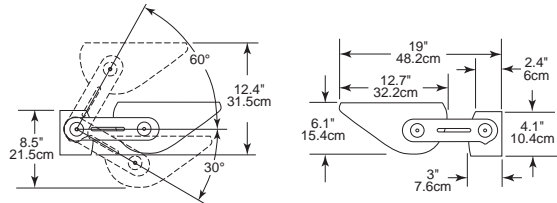
- UL 1598 damp location/optional wet location.⁴
- Published five year limited warranty.

OPTIONS & ACCESSORIES — SEE END OF THIS SECTION.

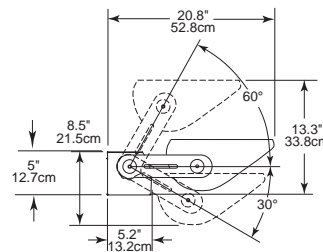
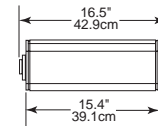
PHOTOMETRICS — SEE REVERSE SIDE.



250 and 400 Watt (MA) Metal Halide



Remote Ballast



Integral Metal Halide Ballast

ORDERING GUIDE EXAMPLE: SHC254MAWHM-6



SH	C	25	4	MA	WHM	-	6
	C			MA		-	
Style	Size	Wattage	Distribution	Source	Finish	Options	Voltage

SH = Sharpe	C =17"	25 = 250(T15) 40 = 400(T15)	3 =35° Peak Angle ²	MA	WHM =Matte White TM = Dark Titanium AL = Aluminum (Paint) NA =Natural Anodized (Paint) BKX =Black Sandtex	IB =Integral Ballast ³ WL =Wet Location ⁴ See options/acc's end of this section.	1 =120 2 =208 3 =240 4 =277 6 =120/277
SP = Sharpe Perforated ¹			4 =45° Peak Angle ²				
SW =Sharpe Window ¹							

Product information is subject to change without notice.

¹Internal reflector not adjustable on perforated or "Window" units.

²Peak angles may vary. Consult photometry on reverse side.

³Does not have sound rating.

⁴Wet location limited to wall mounting, lens up orientation.

Indirector Series™

Sharpe Size C (17") Asymmetrical Floodlight

APPLICATIONS

- Ideal for Airports, Gymnasiums, Sports Complexes, Atriums, Churches, Schools, Malls, Libraries and Retail Spaces.

CONSTRUCTION

- Extruded aluminum housing, door frame, splice chamber/ballast housing.
- Solid, perforated or "Window" optical chamber.
- Die cast aluminum arms.
- Heavy duty die formed end plates.
- Tempered glass lens.
- No exposed fasteners.
- Matte White polyester powder coated finish standard.
- Optional designer finishes available. See inside back cover of ExceLine catalog.

OPTICS

- Highly specular segmented/hammertone reflector.
- Choice of 25° or 45° (from horizontal) peak angle distribution.
- Up to 10% direct component on perforated and "Window" housings.
- Horizontal or below lens positioning.
- Lockable adjustable arms.
- Lockable adjustable optical assembly.

ELECTRICAL

- 208, 240 & 277V lamps available.
- R7 double ended socket.
- No exposed wiring.

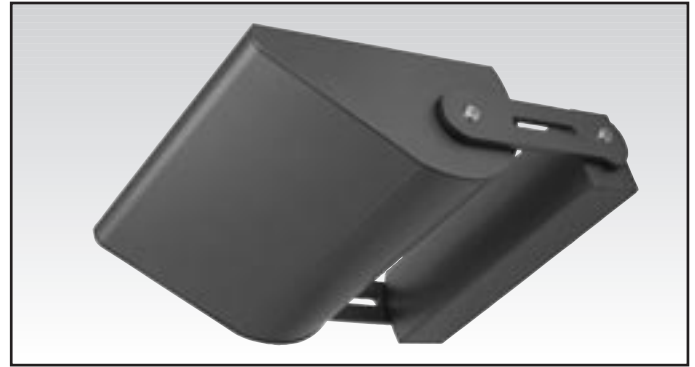
MOUNTING

- Wall or ceiling mounted.
- Quick mounting plate with built-in level.
- Integral splice chamber.

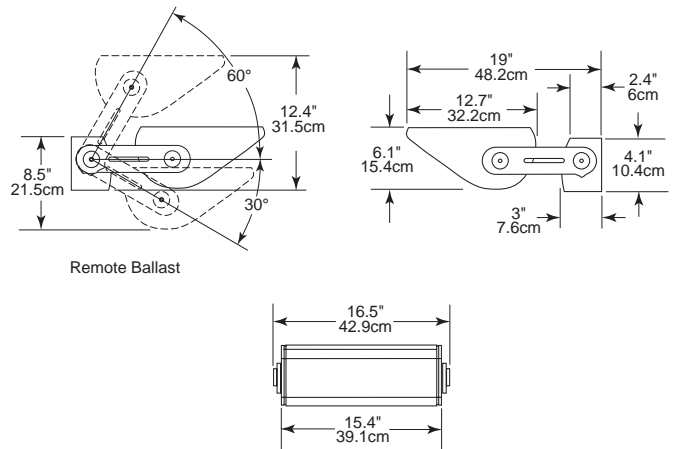
WARRANTY/LISTINGS

- UL 1598 damp location/optional wet location.²
- Published five year limited warranty.

OPTIONS & ACCESSORIES — SEE END OF THIS SECTION.



900 to 1000 Watt (HA) Halogen



ORDERING GUIDE EXAMPLE: SHC1002HAWHM-4



SH	C	100	2	HA	WHM	-	4
	C	100		HA		-	
Style	Size	Wattage	Distribution	Source	Finish	Options	Voltage

SH= Sharpe

C=17"

100=1000(T3)

2=25°
Peak Angle¹

HA

WHM=Matte White
TM= Dark Titanium

WL=Wet Location²
See options/acc's
end of this section.

2=208

SP= Sharpe
Perforated

4=45°
Peak Angle¹

AL= Aluminum
(Paint)

NA=Natural Anodized
(Paint)

BKX=Black Sandtex

3=240

4=277

SW=Sharpe
Window

Product information is subject to change without notice.

¹Peak angles may vary. Consult photometry on reverse side.

²Wet location limited to wall mounting, lens up orientation.

