

# Indirector Series™

## Ellipse Size E (29") Asymmetrical Floodlight

### Remote or Integral Ballast

#### APPLICATIONS

- Ideal for Airports, Gymnasiums, Sports Complexes, Atriums, Churches, Schools, Malls, Libraries and Retail Spaces.

#### CONSTRUCTION

- Extruded aluminum housing, door frame, splice chamber/ballast enclosure.
- Solid or perforated optical chamber.
- Die cast aluminum arms.
- Heavy duty die formed end plates.
- Tempered glass lens.
- No exposed fasteners.
- Matte White polyester powder coated finish standard.
- Optional designer finishes available. See inside back cover of ExceLine catalog.

#### OPTICS

- Highly specular segmented/hammertone reflector.
- 45° (from horizontal) peak angle distribution.
- Up to 10% direct component on perforated housing.
- Horizontal or below lens positioning.
- Internal reflector adjustment.<sup>1</sup>
- Lockable adjustable arms.
- Lockable adjustable optical assembly.

#### ELECTRICAL

- Remote ballasts standard: 120/277V HPF Electronic.
- Integral ballasts optional: 120/277V HPF Electronic.
- No exposed wiring.

#### MOUNTING

- Wall or ceiling mounted.
- Quick mounting plate with built-in level.
- Integral splice chamber.

#### WARRANTY/LISTINGS

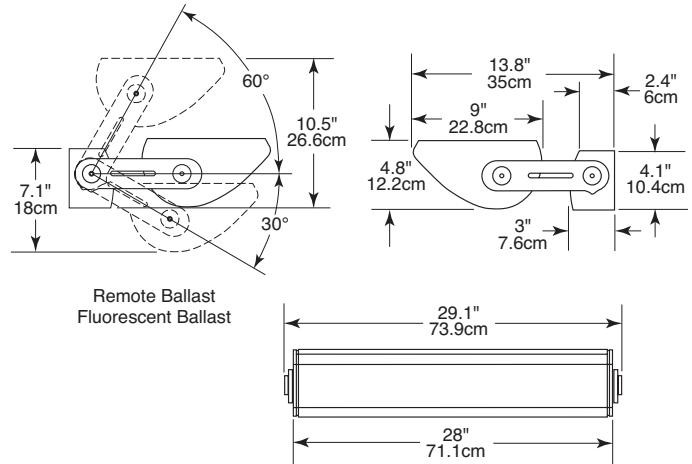
- UL 1598 damp location/optional wet location.<sup>6</sup>
- Published five year limited warranty.

**OPTIONS & ACCESSORIES** — SEE END OF THIS SECTION.

**PHOTOMETRICS** — SEE REVERSE SIDE.



1 x 40 to 80 Watt (BX) T5 Compact Fluorescent  
2 x 70 Watt (HF) PLT Compact Fluorescent



#### ORDERING GUIDE EXAMPLE: ELE54BXWHM-6



Style	Size	Wattage	Distribution	Source	Finish	Options	Voltage
EL=Ellipse	E=29"	4= 40(T5) 5= 55(T5) 8= 80(T5) 27=2x70(PLT) <sup>2</sup>	4=45° Peak Angle <sup>5</sup>	BX <sup>3,4</sup>  HF <sup>3,4</sup>	WHM=Matte White TM= Dark Titanium AL= Aluminum (Paint) NA=Natural Anodized (Paint) BKX=Black Sandtex	IB=Integral Ballast W=Wet Location <sup>6</sup> See options/acc's end of this section.	1=120 4=277 6=120/277

<sup>1</sup>Internal reflector not adjustable on perforated units.

<sup>2</sup>Consult factory for availability.

<sup>3</sup>Voltage is 1(120) or 4(277).

<sup>4</sup>Maximum ballast to lamp distance is 15'.

<sup>5</sup>Peak angles may vary. Consult photometry on reverse side.

<sup>6</sup>Wet location limited to wall mounting, lens up orientation.

Product information is subject to change without notice.

