

Indirector Series™

Ellipse Size D (24") Asymmetrical Floodlight

Remote or Integral Ballast

APPLICATIONS

- Ideal for Airports, Gymnasiums, Atriums, Churches, Schools, Malls, Libraries and Retail Spaces.

CONSTRUCTION

- Extruded aluminum housing, door frame, splice chamber/ballast housing.
- Solid or perforated optical chamber.
- Die cast aluminum arms.
- Heavy duty die formed end plates.
- Tempered glass lens.
- No exposed fasteners.
- Matte White polyester powder coated finish standard.
- Optional designer finishes available. See inside back cover of ExcelLine catalog.

OPTICS

- Highly specular segmented/hammertone reflector.
- 35° (from horizontal) peak angle distribution.
- Up to 10% direct component on perforated housing.
- Horizontal or below lens positioning.
- Internal reflector adjustment.¹
- Lockable adjustable arms.
- Lockable adjustable optical assembly.

ELECTRICAL

- Remote ballasts standard: 120/277V HPF Electronic.
- Integral ballasts optional: 120/277V HPF Electronic.
- No exposed wiring.

MOUNTING

- Wall or ceiling mounted.
- Quick mounting plate with built-in level.
- Integral splice chamber.

WARRANTY/LISTINGS

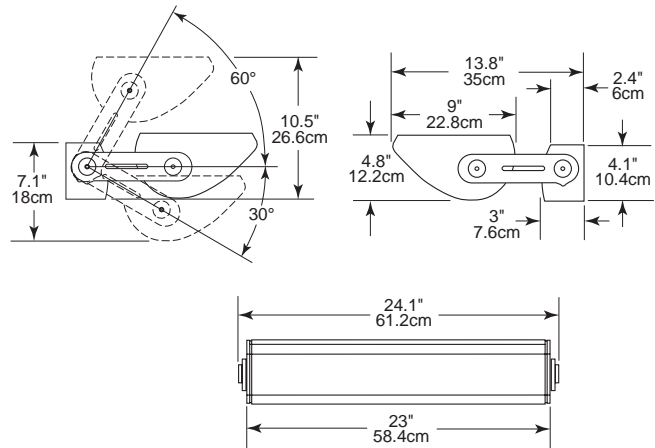
- UL 1598 damp location/optional wet location.⁵
- Published five year limited warranty.

OPTIONS & ACCESSORIES — SEE END OF THIS SECTION.

PHOTOMETRICS — SEE REVERSE SIDE.



2 x 42 and 57 Watt (HF) PLT Compact Fluorescent



ORDERING GUIDE EXAMPLE: ELD253HFWM-6



EL	D	25	3	HF	WHM	-	6
	D		3	HF		-	6
Style	Size	Wattage	Distribution	Source	Finish	Options	Voltage
EL=Ellipse EP=Ellipse Perforated ¹	D=24"	24= 2x42(PLT) 25= 2x57(PLT)	3=35° Peak Angle ⁴	HF ^{2,3}	WHM=Matte White TM= Dark Titanium AL= Aluminum (Paint) NA=Natural Anodized (Paint) BKX=Black Sandtex	IB=Integral Ballast WL=Wet Location ⁵ See options/acc's end of this section.	6=120/277

Product information is subject to change without notice.

¹Internal reflector not adjustable.

²Maximum ballast to lamp distance is 15'.

³Single switching only.

⁴Peak angles may vary. Consult photometry on reverse side.

⁵Wet location limited to wall mounting, lens up orientation.