

Indirector Series™

Ellipse Size C (17") Asymmetrical Floodlight

Remote or Integral Ballast

APPLICATIONS

- Ideal for Airports, Gymnasiums, Sports Complexes, Atriums, Churches, Schools, Malls, Libraries and Retail Spaces.

CONSTRUCTION

- Extruded aluminum housing, door frame, splice chamber/ballast housing.
- Solid or perforated optical chamber.
- Die cast aluminum arms.
- Heavy duty die formed end plates.
- Tempered glass lens.
- No exposed fasteners.
- Matte White polyester powder coated finish standard.
- Optional designer finishes available. See inside back cover of ExcelLine catalog.

OPTICS

- Highly specular segmented/hammertone reflector.
- Choice of 35° or 45° (from horizontal) peak angle distribution.
- Up to 10% direct component on perforated housing.
- Horizontal or below lens positioning.
- Internal reflector adjustment.¹
- Lockable adjustable arms.
- Lockable adjustable optical assembly.

ELECTRICAL

- Remote ballasts standard: 120-277V HPF/CWA encapsulated Fcan.
- Integral ballasts optional: 120-277V HPF/CWA encapsulated.
- 4KV mogul base socket.
- No exposed wiring.

MOUNTING

- Wall or ceiling mounted.
- Quick mounting plate with built-in level.
- Integral splice chamber.

WARRANTY/LISTINGS

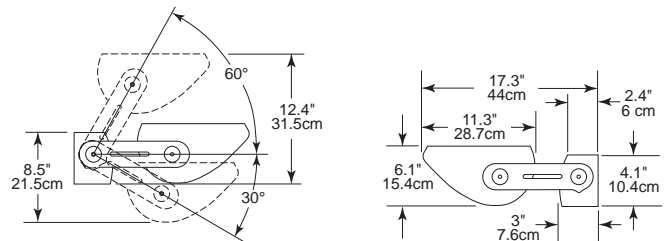
- UL 1598 damp location/optional wet location.⁴
- Published five year limited warranty.

OPTIONS & ACCESSORIES — SEE END OF THIS SECTION.

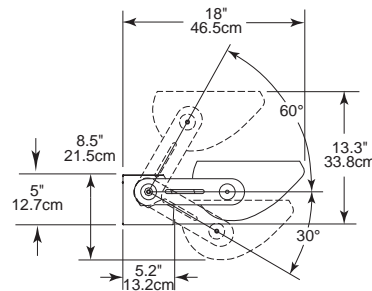
PHOTOMETRICS — SEE REVERSE SIDE.



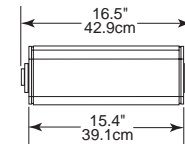
250 and 400 Watt (MA) Metal Halide



Remote Ballast



Integral Ballast



ORDERING GUIDE EXAMPLE: ELC403MAWHM-6



EL	C	40	3	MA	WHM	-	6
	C			MA			
Style	Size	Wattage	Distribution	Source	Finish	Options	Voltage

EL=Ellipse	C=17"	25= 250(T15) 40= 400(T15)	3=35° Peak Angle ²	MA	WHM=Matte White TM= Dark Titanium AL= Aluminum (Paint) NA=Natural Anodized (Paint) BKX=Black Sandtex	IB=Integral Ballast ³ WL=Wet Location ⁴ See options/acc's end of this section.	1=120 2=208 3=240 4=277 6=120/277
EP=Ellipse Perforated ¹			4=45° Peak Angle ²				

Product information is subject to change without notice.

¹Internal reflector not adjustable on perforated units.

²Peak angles may vary. Consult photometry on reverse side.

³Does not have sound rating.

⁴Wet location limited to wall mounting, lens up orientation.



Indirector Series™

Ellipse Size C (17") Asymmetrical Floodlight

APPLICATIONS

- Ideal for Airports, Gymnasiums, Sports Complexes, Atriums, Churches, Schools, Malls, Libraries and Retail Spaces.

CONSTRUCTION

- Extruded aluminum housing, door frame, splice chamber/ballast housing.
- Solid or perforated optical chamber.
- Die cast aluminum arms.
- Heavy duty die formed end plates.
- Tempered glass lens.
- No exposed fasteners.
- Matte White polyester powder coated finish standard.
- Optional designer finishes available. See inside back cover of ExcelLine catalog.

OPTICS

- Highly specular segmented/hammertone reflector.
- Choice of 25° or 45° (from horizontal) peak angle distribution.
- Up to 10% direct component on perforated housing.
- Horizontal or below lens positioning.
- Lockable adjustable arms.
- Lockable adjustable optical assembly.

ELECTRICAL

- 208, 240 & 277V lamps available.
- R7 double ended socket.
- No exposed wiring.

MOUNTING

- Wall or ceiling mounted.
- Quick mounting plate with built-in level.
- Integral splice chamber.

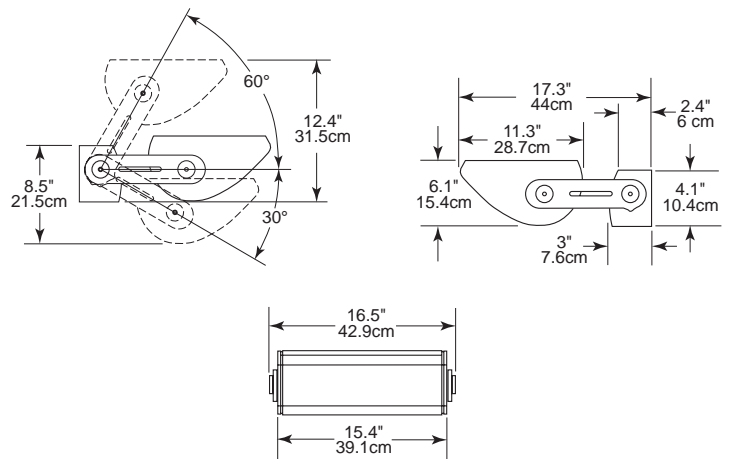
WARRANTY/LISTINGS

- UL 1598 damp location/optional wet location.²
- Published five year limited warranty.

OPTIONS & ACCESSORIES — SEE END OF THIS SECTION.



900 to 1000 Watt (HA) Halogen



ORDERING GUIDE EXAMPLE: ELC1002HAWHM-4



EL	C	100	2	HA	WHM	-	4
	C	100		HA			
Style	Size	Wattage	Distribution	Source	Finish	Options	Voltage

EL=Ellipse

C=17"

100=1000(T3)

2=25°
Peak Angle¹

HA

WHM=Matte White

WL=Wet Location²

2=208

EP=Ellipse
Perforated

4=45°
Peak Angle¹

TM= Dark Titanium

See options/acc's

3=240

AL= Aluminum
(Paint)

end of this section.

4=277

NA=Natural Anodized
(Paint)

BKX=Black Sandtex

Product information is subject to change without notice.

¹Peak angles may vary. Consult photometry on reverse side.

²Wet location limited to wall mounting, lens up orientation.

