

Indirector Series™

Ellipse Size A (11") Asymmetrical Floodlight Remote or Integral Ballast

APPLICATIONS

- Ideal for Airports, Gymnasiums, Sports Complexes, Atriums, Churches, Schools, Malls, Libraries and Retail Spaces.

CONSTRUCTION

- Extruded aluminum housing, door frame, splice chamber/ballast housing.
- Solid or perforated optical chamber.
- Die cast aluminum arms.
- Heavy duty die formed end plates.
- Tempered glass lens.
- No exposed fasteners.
- Matte White polyester powder coated finish standard.
- Optional designer finishes available. See inside back cover of ExcelLine catalog.

OPTICS

- Highly specular segmented/hammertone reflector.
- Choice of 25° or 45° (from horizontal) peak angle distribution.
- Up to 10% direct component on perforated housing.
- Horizontal or below lens positioning.
- 10° internal reflector adjustment.¹
- Lockable adjustable arms.
- Lockable adjustable optical assembly.

ELECTRICAL

- Remote ballasts standard: 120/277V HPF encapsulated Fcan or Electronic.⁷
- Integral ballasts optional: 120/277V Electronic.⁷
- G12 base socket.
- No exposed wiring.

MOUNTING

- Wall or ceiling mounted.
- Quick mounting plate with built-in level.
- Integral splice chamber.

WARRANTY/LISTINGS

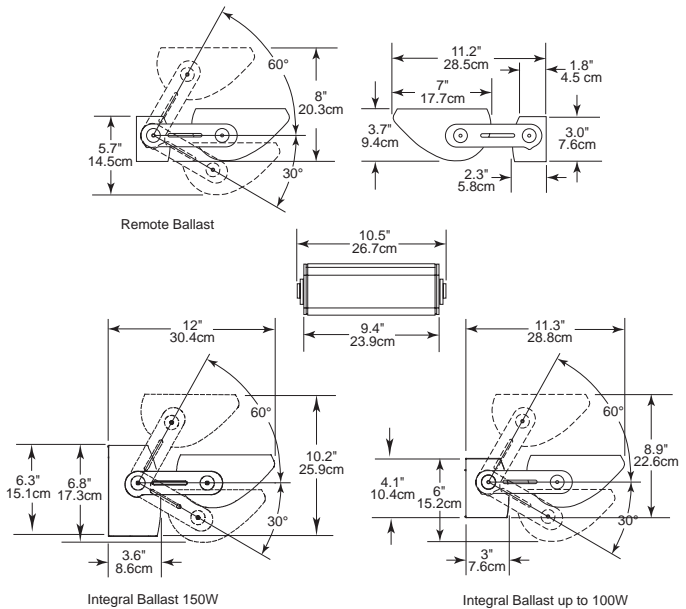
- UL 1598 damp location/optional wet location.⁶
- Published five year limited warranty.

OPTIONS & ACCESSORIES — SEE END OF THIS SECTION.

PHOTOMETRICS — SEE REVERSE SIDE.



35 to 150 Watt (MA) Metal Halide and (EMA) Electronic Metal Halide



ORDERING GUIDE EXAMPLE: ELA72EMAWHM-6



EL	A	7	2	EMA	WHM	-	6
	A						
Style	Size	Wattage	Distribution	Source	Finish	Options	Voltage

EL=Ellipse	A=11"	3= 35(T6) 7= 70(T6) 10=100(T6) 15=150(T6)	2=25° Peak Angle ⁵ 4=45° Peak Angle ⁵	MA ² or EMA ^{3,4}	WHM=Matte White TM= Dark Titanium AL= Aluminum (Paint) NA=Natural Anodized (Paint) BKX=Black Sandtex	IB=Integral Ballast ⁷ WL=Wet Location ⁶ See options/acc's end of this section.	1=120 4=277 6=120/277
EP=Ellipse Perforated ¹							

¹Internal reflector not adjustable on perforated units.

²Remote ballast only. Voltage is 6(120/277).

³Voltage is 6(120/277) for 35-70W, 1(120) or 4(277) for 100 and 150W.

⁴Maximum ballast to lamp distance is 15'.

⁵Peak angles may vary. Consult photometry on reverse side.

⁶Wet location limited to wall mounting, lens up orientation.

⁷EMA only. Voltage is 6(120/277) for 35-70W, 1(120) or 4(277) for 100 and 150W.

Product information is subject to change without notice.



Indirector Series™

Ellipse Size A (11") Asymmetrical Floodlight

APPLICATIONS

- Ideal for Airports, Gymnasiums, Sports Complexes, Atriums, Churches, Schools, Malls, Libraries and Retail Spaces.

CONSTRUCTION

- Extruded aluminum housing, door frame, splice chamber/ballast housing.
- Solid or perforated optical chamber.
- Die cast aluminum arms.
- Heavy duty die formed end plates.
- Tempered glass lens.
- No exposed fasteners.
- Matte White polyester powder coated finish standard.
- Optional designer finishes available. See inside back cover of ExcelLine catalog.

OPTICS

- Highly specular segmented/hammertone reflector.
- Choice of 25° or 45° (from horizontal) peak angle distribution.
- Up to 10% direct component on perforated housing.
- Horizontal or below lens positioning.
- Lockable adjustable arms.
- Lockable adjustable optical assembly.

ELECTRICAL

- 120V only.
- Frosted lamps recommended.
- DC bayonet base.
- No exposed wiring.

MOUNTING

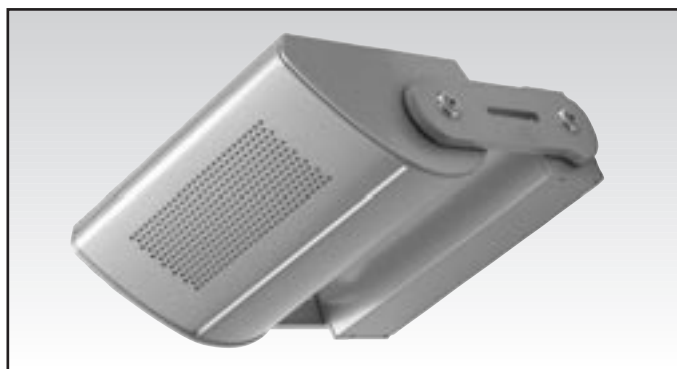
- Wall or ceiling mounted.
- Quick mounting plate with built-in level.
- Integral splice chamber.

WARRANTY/LISTINGS

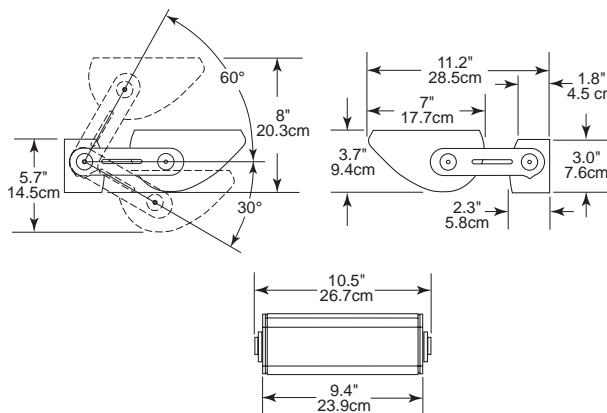
- UL 1598 damp location/optional wet location.³
- Published five year limited warranty.

OPTIONS & ACCESSORIES — SEE END OF THIS SECTION.

PHOTOMETRICS — SEE REVERSE SIDE.



100 to 250 Watt (HA) Halogen



ORDERING GUIDE EXAMPLE: ELA252HAWHM-1



EL	A	25	2	HA	WHM	-	1
	A	25		HA			1
Style	Size	Wattage	Distribution	Source	Finish	Options	Voltage

EL=Ellipse

A=11"

25=250(T4)

2=25° Peak Angle²

HA⁴

WHM=Matte White
TM=Dark Titanium

WL=Wet Location³
See options/acc's end of this section.

1=120

EP=Ellipse Perforated¹

AL=Aluminum (Paint)
NA=Natural Anodized (Paint)
BKX=Black Sandtex

Product information is subject to change without notice.

¹Internal reflector not adjustable on perforated units.

²Peak angles may vary. Consult photometry on reverse side.

³Wet location limited to wall mounting, lens up orientation.

⁴Frosted lamps recommended.

